

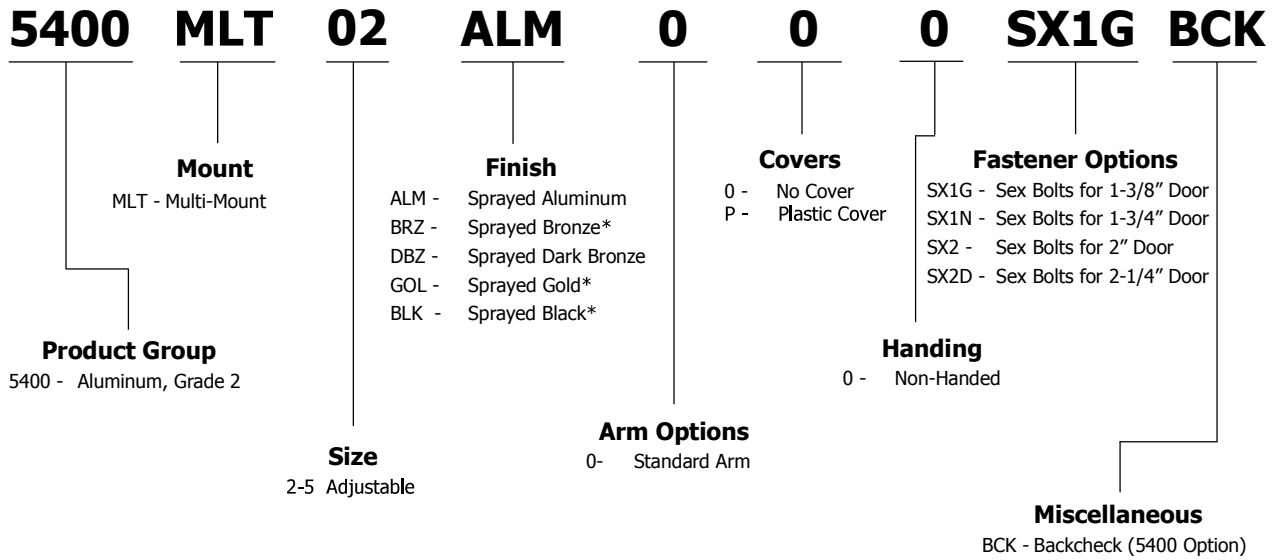
5400 Series



5400 Series Closers are ideal for light duty commercial applications. 5400 Series Closers have a heat treated steel piston and triple heat treated steel spindle. The closers are non-handed to permit installation on doors of either hand. The sizing is adjustable from size 2 through size 5. The design features make this closer the ideal choice for doors with a maximum weight of 200 lbs.



5400 SERIES - HOW TO ORDER



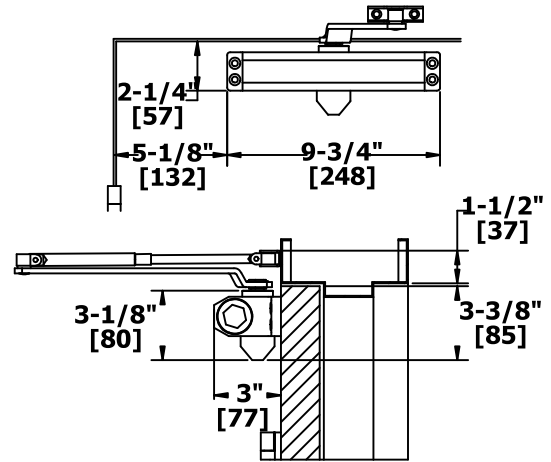
Example of how to order: 5400M25ALM0P

*Extended lead times for BRZ, GOL, and BLK finishes and minimum order quantities may apply.

5400 SERIES - APPLICATIONS

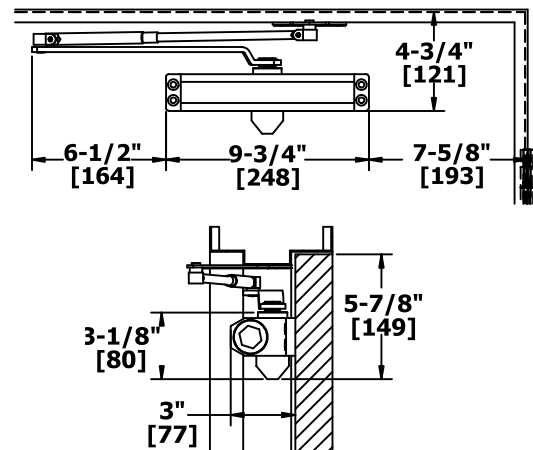
REGULAR ARM MOUNT

Opening:	Templating allows up to 180°
Frame Face:	1-1/2" (38 mm) minimum
Ceiling Clearance:	1-3/4" (44 mm) minimum
Top Rail:	2-1/4" (57 mm) minimum
Top Rail Clearance:	3-1/2" (89 mm) minimum



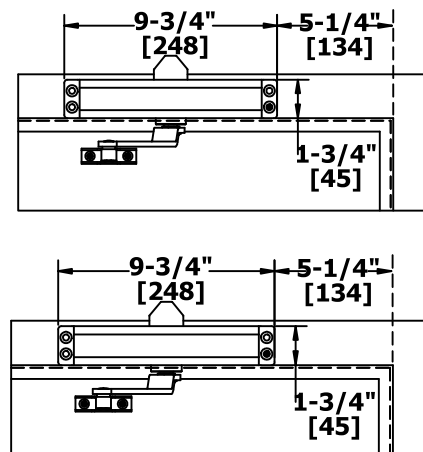
PARALLEL ARM MOUNT

Opening:	Templating allows up to 180°
Top Rail:	<ul style="list-style-type: none"> • 5/8" (16 mm) frame stop • 4-3/4" (121 mm) minimum
Top Rail Clearance:	5-3/4" (146 mm) minimum



TOP JAMB MOUNT

Opening:	Templating allows up to 180°
Frame Face:	1-3/4" (45 mm) minimum
Ceiling Clearance:	2-3/4" (70 mm) minimum
Top Rail:	1-7/8" (48 mm) minimum
Top Rail Clearance:	2-1/8" (54 mm) minimum



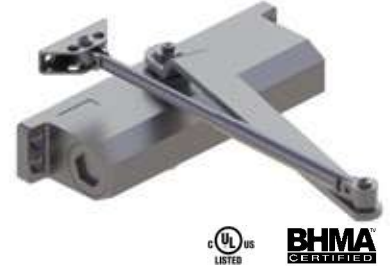
5400 SERIES - GRADE 2 STANDARD DUTY SURFACE DOOR CLOSER

WARRANTY

Five-year warranty - maximum 200 lb. door weight

FEATURES

- Ideal for light duty commercial applications
- Standard package contains 5401 closer body, 5901 pinion cap, 5403 main arm assembly, 5404 standard screw pack, 5900 parallel arm bracket, and 5902 SNB screw pack for 1-3/4" (44 mm) door



Certification:

- BHMA Certified ANSI A156.4, adjustable sizes 2-5
- UL/cUL Listed for up to 3 hours
- UL10C Positive Pressure Rated
- UL10B Neutral Pressure Rated

Covers:

No Cover - Standard

Closer Body:

- Aluminum alloy
- The recommended temperature for prolonged use is between -40° F (-42° C) & 150° F (66° C)

Springs:

Double heat treated steel, tempered springs

Valves:

- Adjustable latching and sweep speed valves
- Adjustable backcheck valve - Optional
- Staked valves - Standard

Handing:

Non-handed

Arms & Brackets:

Tri-Pack: Regular, Parallel Arm, and Top Jamb Mount - Standard
15% power adjustment in standard arm for regular and top jamb mount

SPECIFICATIONS

Door Thickness:

1-3/4" (44 mm) - Standard
1-3/8" - 2-1/4" (36 mm - 57 mm) thick door - Optional

Fasteners:

Self-reaming, self-tapping wood and machine screws
Sex nuts and bolts

Notes:

Precision machined, heat treated steel piston
Triple heat treated steel spindle
Special templates available upon request by contacting Hager Companies Customer Service

FINISHES

ALM, BLK*, BRZ*, DBZ*, GOL*
Rust inhibiting primer - Standard

* Extended lead times and MOQs apply.



5400 SERIES - ARMS & ACCESSORIES

SCREW PACKS



5403

Main Arm

- Non-handed
- Forged steel
- Mounts regular, parallel arm, or top jamb mount
- Add 5900 bracket for parallel arm mount



5401

Closer Body Only

- Aluminum alloy
- Full rack and pinion operation
- Triple heat treated steel spindle



5900

Parallel Arm Bracket

- Used to convert regular or top jamb arms to parallel arm application
- Supplied standard closers
- For use with 5200, 5300 and 5400 Series closer arms
- Includes screw pack



5901

Pinion Cap

- High-impact, non-corrosive
- Fits over the pinion and extends 1" (25 mm)
- Supplied standard



5913

Blade Stop Spacer

- Required to lower parallel arm shoe to clear 1/2" (13 mm) blade stop of aluminum frames
- For use with 5300 and 5400 Series arms
- Includes screw pack



5404

Screw Pack - Standard

- Self-drilling wood screws
- Self-drilling machine screws
- For 5400 Series closer only



5902

SNB Screw Pack - Standard

- Sex nuts and bolts for 1-3/4" (44 mm) doors
- Machine screws
- For use with 5200, 5300, 5400 Series closers only



5903

SNB Screw Pack - Optional

- Sex nuts and bolts for 1-3/8" (35 mm) doors
- Machine screws
- For use with 5200, 5300, 5400 Series closers only



5904

SNB Screw Pack - Optional

- Sex nuts and bolts for 2" (51 mm) doors
- Machine screws
- For use with 5200, 5300, 5400 Series closers only



5905

SNB Screw Pack - Optional

- Sex nuts and bolts for 2-1/4" (56 mm) doors
- Machine screws
- For use with 5200, 5300, 5400 Series closers only