



NATIONAL GUARD
PRODUCTS

Finger Guard 2248



Material

Anodized Aluminum Housing

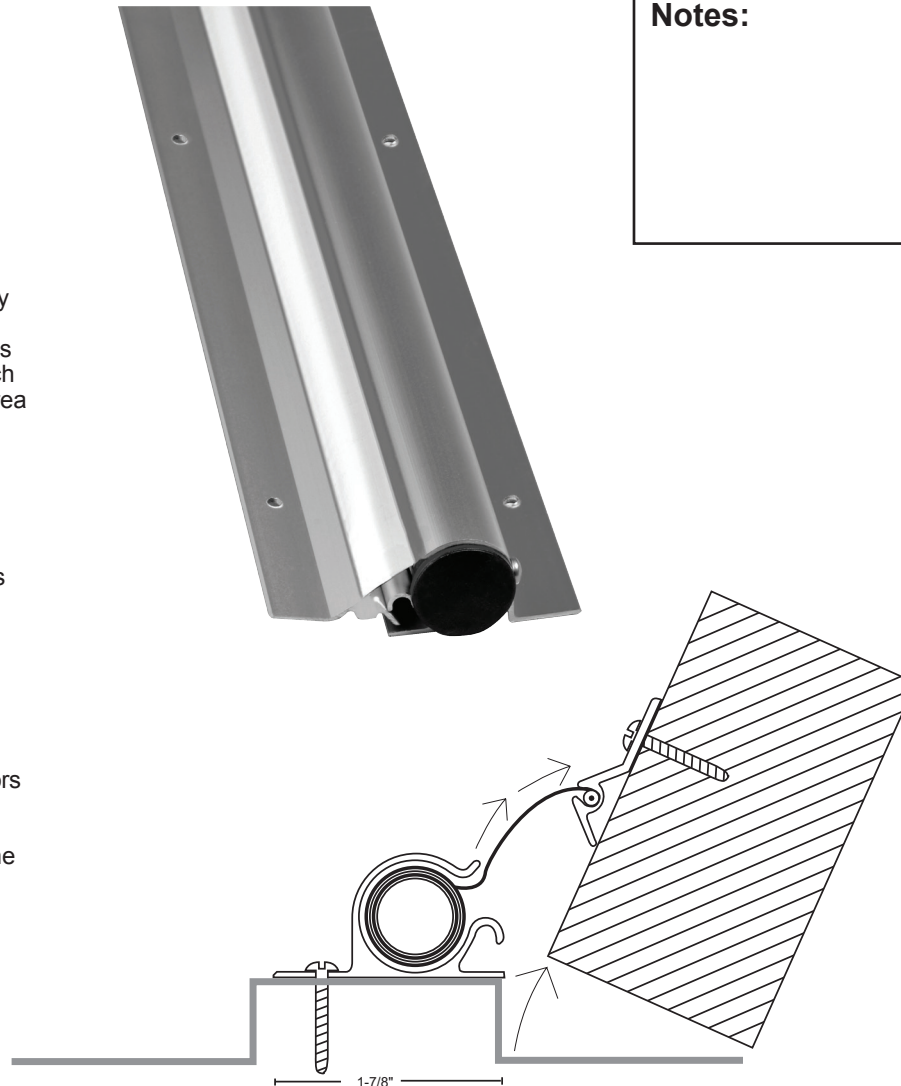
- Designed to help prevent injury to fingers accidentally placed in the hinge area of a door
- Features an internal spring mechanism that maintains constant tension against the polyethylene fabric which helps prevent fingers from entering the dangerous area behind the edge of the door
- Ideal for senior & childcare facilities
- Durable “endless cycle” spring mechanism
- Fire resistant woven polyethylene fabric
- 82" for 7' door opening
- 38" dutch door size
- Custom lengths 12" up to 86" available. Order 2" less than opening height to allow for the stop on the door frame head and door bottom undercut
- Not field sizable
- Mounts on push side of door
- Suitable for doors swinging up to 180 degrees
- #6 x 1/2" Tek self-drilling screws furnished
- 38" standard length
- Fire rated up to 3 hours metal doors, 1 hour wood doors

Finishes

2248A Anodized aluminum with white polyethylene
2248DKB Dark bronze with black polyethylene

Options

Available in 38", 76", 82" and 86" standard lengths



Project:

Submitted by:

Date:

Notes: