

Corbin
Russwin

ASSA ABLOY

CL3200 Series

Security Bolt Lever Lockset



ASSA ABLOY, the global leader
in door opening solutions

Applications

CL3200



Applications

A heavy-duty, high-use lockset that combines the convenience of a barrier-free lever lockset with the security of a 1" (25mm) deadbolt in a single door prep. Ideal for:

- Computer rooms
- Pharmacies
- AV storage
- File rooms
- Exterior doors

Advantages

- Enhanced access - 20° turn of lever retracts deadbolt
- Combines 1/2" (13mm) throw latch and 1" (25mm) throw deadbolt
- Cost-effective — requires less installation time than separate lockset and deadbolt
- Exceeds ANSI Grade 1 requirements
- Utilizes standard door prep

Table of Contents

Applications	2
Features	3
Functions	4
Trim Design	5
Options and Accessories	6-7
How to Order	8
Quick Codes	9
Helpful Terms	10
How to Specify	11



Features

Handing

Specify hand. Lockset is handed by door bevel.

Door Thickness

1-3/8" (35mm) - 1-3/4" (44mm) standard. Optional door thickness available; see Quick Codes, page 9.

Backset

2-3/4" (70mm) only.

Lock Chassis

Precision machined internal parts of hardened steel, zinc and dichromate plated for corrosion resistance.

Front

Brass, bronze or stainless steel, 2-1/4" (57mm) x 1-1/8" (29mm). Accommodates flat doors and doors beveled 1/8" (3mm) in 2" (51mm).

Latchbolt

Brass 1/2" (13mm) throw latch projects to 1" (25mm) throw deadbolt. Hardened steel insert, nylon anti-friction insert.

Strike

Wrought brass or bronze, ANSI curved lip standard, (4-7/8" x 1-1/4" x 1-1/4") (124mm x 32mm x 32mm) lip to center. Optional strikes, lip lengths and ANSI wrought strike box available; see Quick Codes, page 9.

Cylinder

Brass, 6-pin interchangeable core (IC), L4 keyway, 0-bitted standard. Pyramid 7-pin optional. Security 6-pin optional.

Keying Features Available

- Master keying
- Construction master keying
- Visual key control
- Concealed key control
- Security interchangeable core
- Pyramid interchangeable core

Keys

Two nickel-silver standard.

Warranty

Two-year limited.

Certification/Compliance

ANSI

Meets A117.1 Accessibility Code.

Federal

Meets FF-H-106C.

UL /ULC

All locks listed for A label and lesser class doors, single or pair, 4' x 10'. Letter F and UL symbol on latch front indicate listing.

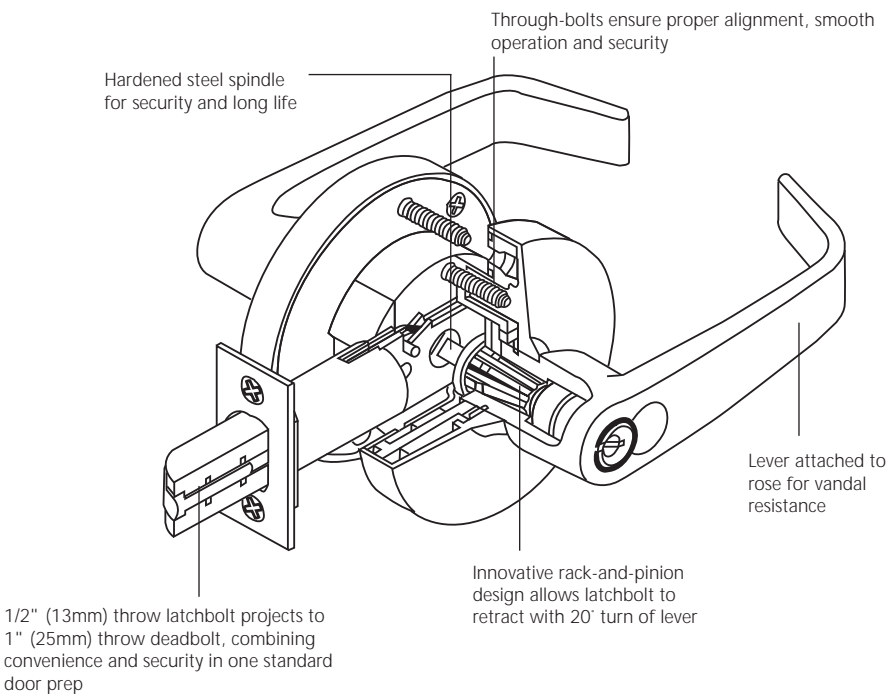
California State Reference Code

(Formerly Title 19, California State Fire Marshal Standard)

All levers with returns comply; levers return to within 1/2" (13mm) of door face.

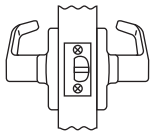
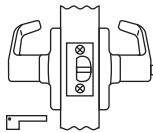
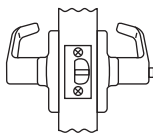
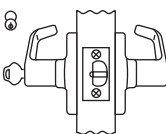
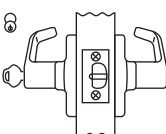
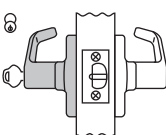
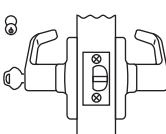
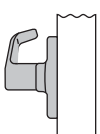
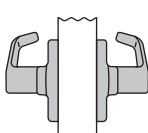
Finishes


BHMA 605 (US3)	Bright Brass
BHMA 606 (US4)	Satin Brass
BHMA 611 (US9)	Bright Bronze
BHMA 612 (US10)	Satin Bronze
BHMA 613 (US10B)	Oxidized Bronze, oil rubbed, available lacquered
BHMA 618 (US14)	Bright Nickel Plated
BHMA 619 (US15)	Satin Nickel Plated
BHMA 625 (US26)	Bright Chromium Plated
BHMA 626 (US26D)	Satin Chromium Plated
BHMA 629	Bright Stainless Steel
BHMA 630	Satin Stainless Steel
BHMA 722	Black Oxidized Bronze, oil rubbed




Functions

CL3200

Outside	Inside	Series/Function	Type	ANSI No.	Function Description
		CL3210	Passage or Closet	F75	<ul style="list-style-type: none"> Latchbolt by lever either side. Both levers always free.
		CL3220	Privacy, Bedroom or Bathroom	F76	<ul style="list-style-type: none"> Latchbolt by lever either side. Outside lever locked by turn button. Outside lever unlocked by emergency release tool outside or by rotating inside lever. Inside lever always free.
		CL3230	Privacy Bedroom or Bathroom	F76	<ul style="list-style-type: none"> Latchbolt by lever either side. Outside lever locked by turn button. Outside lever unlocked by rotating coin slot outside, or by rotating inside lever. Inside lever always free.
		CL3251	Entrance or Office	F81	<ul style="list-style-type: none"> Latchbolt by lever either side except when turn button locks outside lever. When locked, latchbolt automatically projects to 1" (25mm) after closing door. Key outside retracts latchbolt. Outside lever unlocked by turn button. Inside lever always free.
		CL3255	Classroom	F84	<ul style="list-style-type: none"> Latchbolt by lever either side except when key locks outside lever. When locked, latchbolt automatically projects to 1" (25mm) after closing door. Outside lever unlocked by key outside. Inside lever always free.
		CL3257	Storeroom or Closet	F86	<ul style="list-style-type: none"> Latchbolt by key in outside lever or by rotating inside lever. When locked, latchbolt automatically projects to 1" (25mm) after closing door. Outside lever always locked (lever handle is free-wheeling in locked position). Inside lever always free.
		CL3261	Office or Privacy	F82	<ul style="list-style-type: none"> Latchbolt by lever either side, except when turn button locks outside lever. When locked, latchbolt projects to 1" (25mm) throw position. Outside lever unlocked by key outside or by rotating inside lever. Inside lever always free.
		CL3250	Half Dummy Trim	—	<ul style="list-style-type: none"> Lever acts as pull only; no operation.
		CL3270	Full Dummy Trim	—	<ul style="list-style-type: none"> Levers act as pulls only; no operation.

 Indicates available interchangeable core.

 Indicates rigid lever.



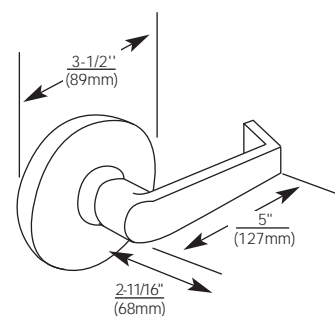
Newport

Complies with codes requiring lever to return to within 1/2" (13mm) of door face.



NSD

Lever: Forged brass or cast stainless steel
Rose: Forged brass or cast stainless steel



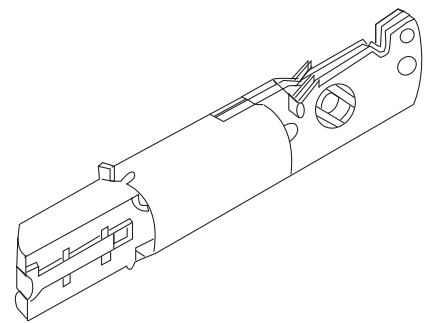
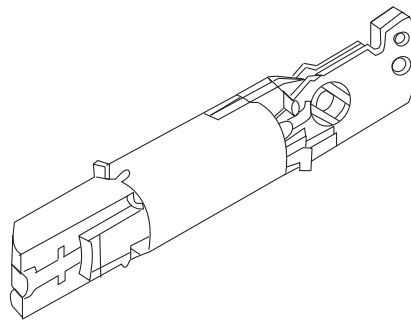
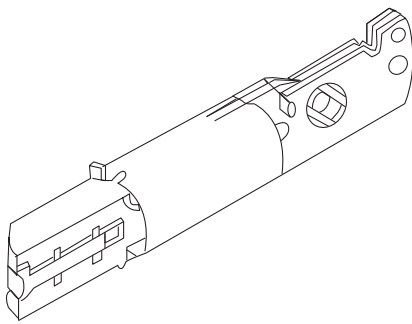
Options and Accessories

CL3200

Latches

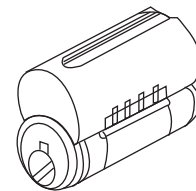
To order latchbolt separately, specify Part No. x Finish (e.g., 497F82).

Series/Function			
Hand	CL3220, CL3230, CL3261	CL3251, CL3255, CL3257	CL3210
RH/LH	497F80	497F82	497F86
RHR/LHR	497F81	497F83	497F87



Cylinders

Interchangeable core
 .509" plug diameter conventional
 .552" plug diameter high security
 .496" plug diameter Pyramid
 Brass, 6-pin, Pyramid 7-pin retrofits
 standard 6-pin prep
 2 nickel silver keys
 Finishes: 605, 606, 611, 612, 613, 625, 626, 722



Conventional 6-pin	8000 (standard)
Security 6-pin	8010
Pyramid High Security 7-pin	8020
Pyramid Security 7-pin	8027

To order optional cylinder with lockset, see Quick Codes, page 9.

To order separately, specify Part No. x Keyway x Finish
 (e.g., 8010 x L4 x 626)

Strikes

ANSI Curved Lip (Standard)

Brass or bronze

Non-handed

4-7/8" (124mm) x 1-1/4" (32mm) x

1-1/4" (32mm) lip to center

Optional lip lengths: 1" (25mm), 1-1/8"

(29mm), 1-3/8" (35mm),

1-1/2" (38mm), 1-3/4"

(45mm), 2" (51mm),

2-1/4" (57mm),

2-1/2" (64mm),

2-3/4" (70mm),

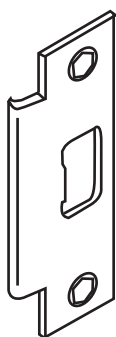
3" (76mm)

To order with lockset, see
Quick Codes, page 9.

To order separately,
specify Part No. x Lip

Length x Finish

(e.g., 557L30 x 1-1/2" x
605).



Curved Lip Box

Brass or bronze

2-3/4" (70mm) x 1-1/8" (29mm) x

1-1/4" (32mm) lip to center

Optional lip lengths: 1" (25mm),

1-1/8" (29mm), 1-3/8" (35mm),

1-1/2" (38mm),

1-3/4" (45mm),

2" (51mm), 2-1/2"

(64mm), 3" (76mm)

To order with lockset,

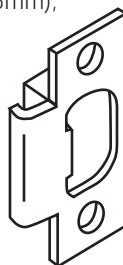
see Quick Codes, page 9.

To order separately,

specify Part No. x Lip

Length x Finish

(e.g., 557L37 x 1-1/2" x 605).



ANSI Wrought Strike Box

To order with lockset,

see Quick Codes, page 9.

To order separately, specify 120F76-8.



Part No.	Description
496L90	Standard
557L30	For use without door silencers
557L31	For use with heavy gasketing or weather stripping

Part No.	Description
497L91	Optional
557L36	For use without door silencers
557L37	For use with heavy gasketing or weather stripping

How to Order

CL3200

Ordering Examples

Stock Order

Quantity	Series/Function	Trim	Finish	Hand
100	CL3255	NSD	626	RHR

Where to find ordering information and Quick Codes

Series/Function	Page 4
Trim Design	Page 5
Finish	Page 9
Handing	Page 9
Door Thickness	Page 9
Strike	Page 9
Miscellaneous Options	Page 9
Cylinders and Keying	Page 9

Contract/Detailed Order

Quantity	Keypad	Series/Function	Trim	Finish	Hand	Door Thickness	Optional Strike	Misc. Options	Optional Cylinder	Keying
24	AA1	CL3255	NSD	626	RHR	D214	SA112	M17-M20	CHS	VKC1

Cylinder and Keying

Description	Specify
IC 6-pin	(standard)
IC 6-pin with Temporary Construction Core (Red)	CT6R
IC 6-pin with Temporary Construction Core (Blue)	CT6B
IC 6-pin with Temporary Construction Core (Green)	CT6G
IC 6-pin with temporary construction core	CT6
IC 6-pin less core	CL6
IC 6-Pin Disposable Core	CT6D
Security IC	CHS
Pyramid High Security IC	PCHS
Pyramid IC Less Core	CLP
Pyramid IC with temporary construction core	CTP
Pyramid Security IC	PCS
0-bitted with 2 blank keys	(standard)
Keyed random	KR
Construction master keyed	CMK
Visual key control (VKC)	
No bitting or keyset stamping on keys	VKC0
Keys only	VKC1
Cylinders and keys (not for HS, CHS, PHS or PCHS)	VKC2
Cylinders only (not for HS, CHS, PHS or PCHS)	VKC3
Concealed key control (CKC)	
CKC cylinders with VKC keys	CKC2
CKC cylinders only (not for PHS, PCHS)	CKC3
2 keys per lock	(standard)
More than 2 keys	KY# (e.g., KY6)

Finishes

Description	Specify
BHMA 605 (US3)	Bright Brass
BHMA 606 (US4)	Satin Brass
BHMA 611 (US9)	Bright Bronze
BHMA 612 (US10)	Satin Bronze
BHMA 613 (US10B)	Oxidized Bronze, oil rubbed, available lacquered
BHMA 618 (US14)	Bright Nickel Plated
BHMA 619 (US15)	Satin Nickel Plated
BHMA 625 (US26)	Bright Chromium Plated
BHMA 626 (US26D)	Satin Chromium Plated
BHMA 629 (US32)	Bright Stainless Steel
BHMA 630 (US32D)	Satin Stainless Steel
BHMA 722	Black Oxidized Bronze, oil rubbed

Door Thickness

Door Thickness	Specify
1-3/8" (35mm) - 1-3/4" (44mm)	(standard)
2" (51mm)	D200
2-1/8" (54mm)	D218
2-1/4" (57mm)	D214

Handing

Door Thickness	Specify
Right Hand	RH
Left Hand	LH
Right Hand Reverse	RHR
Left Hand Reverse	LHR

Strike

Lip to Center	ANSI Curved Lip Specify	Curved Lip Box Specify
1" (25mm)	SA100	SC100
1-1/8" (29mm)	SA118	SC118
1-1/4" (32mm)	(standard)	SC114
1-3/8" (35mm)	SA138	SC138
1-1/2" (38mm)	SA112	SC112
1-3/4" (44mm)	SA134	SC134
2" (51mm)	SA200	SC200
2-1/4" (57mm)	SA214	SC214
2-1/2" (64mm)	SA212	SC212
2-3/4" (70mm)	SA234	SC234
3" (76mm)	SA300	SC300

For door without silencers, add suffix "A" (e.g., SC134A).

For doors with heavy gasketing or weather stripping, add suffix "B" (e.g., SC134B).

Miscellaneous

Description	Specify
Spanner head screws	M02
ANSI wrought strike box	M17
Knurling outside and inside	M20
Knurling outside only	M21
Knurling inside only	M22
Abrasive coat outside and inside	M23
Abrasive coat inside only	M24
Abrasive coat outside only	M25
Lead lining (inside rose only)	M28

Helpful Terms

CL3200

Abrasive Coat

Hard granular material applied to a knob or lever to provide a non-slip tactile surface for the visually impaired.

Auxiliary Latchbolt

A supplementary latch which, when the door is closed, automatically deadlocks the latchbolt. Protects the latchbolt from forced retraction or "credit carding."

Backset

The distance from the front of the lock to the centerline of the cylinder or knob/lever hub.

Bevel

The angle of the edge of a door in relation to the inside and outside surfaces of the stile. The most common bevel for commercial doors is 1/8" in 2".

Box Strike

A strike equipped with an enclosure behind the hole(s) for the latchbolt and/or deadbolt. Protects the strike area from mortar and cement.

Chassis

The housing of a lockset, containing most of the working space.

Curved Lip Strike

A strike with the lip curved to conform to the detail of the door frame.

Dummy Trim

Trim only, without the lock or latching mechanism, usually used on the inactive door of a pair of doors for design balance.

Front

The part of a lock visible on the edge of a door.

Hand

The direction a door swings.

Knurling

A permanently applied tactile warning engraved in the metal of a knob or lever to warn the visually impaired of dangerous conditions on the other side of the door.

Latchbolt

A lock component having a beveled end that projects from the lock front but may be forced back into the lockcase by end pressure or drawn back by action of the retractor. When the door is closed, the latchbolt projects into a hole provided in the strike, holding the door in the closed position.

Lead Lined

Pertains to a lockset whose trim has a lining of lead to prevent the passage of radiation. Generally used in hospital applications.

Lip of Strike

The projecting part of a strike which first engages the latch; may be curved or straight.

Return

The part of a lever handle which angles or turns back toward the face of the door. Also, the distance between the end of the return of the lever and the surface of the door.

Sectional Trim

Lock trim with two sections; a lever or knob with a rose which is not joined by an external plate to the cylinder above.

Strike

A metal plate that is pierced or recessed to receive the deadbolt or latchbolt of a lock (sometimes called a keeper).

Throw

The distance that a lock's deadbolt or latchbolt projects when in the locked position. The effective throw is the distance that a latchbolt projects when deadlocked.

Wrought Strike Box

A metal box mounted behind the strike to protect the strike opening from mortar or cement.

Keying and Cylinder Terms

Concealed Key Control (CKC)

The marking of standard key symbols on a cylinder in a location which is not visible once the cylinder is installed.

Construction Core

An interchangeable core for temporary use during construction. It is replaced by the permanent core when construction personnel no longer need access.

Construction Master Keying (CMK)

A cylinder preparation which allows temporary access by construction personnel.

Control Key

A key used to remove and install interchangeable cores.

Cylinder

A lock component containing the combination which determines which keys will operate.

Security Cylinder

A cylinder which provides extra resistance to picking and unauthorized duplication of keys.

Interchangeable Core (IC)

A cylinder which can be removed and installed quickly with a control key by non-skilled personnel when rekeying is required.

Key Section

The cross-section of a key blade, as viewed from bow to tip.

Key Symbol

A letter/number combination in standard industry format (e.g., 1AA, AA1, etc.) which indicates exactly how a key or cylinder fits into a keying system.

Keyway

The opening in a cylinder plug through which the key enters.

Master Keying

Preparation of a cylinder to operate with keys of different levels of access.

Visual Key Control (VKC)

The marking of standard key symbols on keys and on the visible portion of the front of a cylinder.

Suggested Specification

All locksets shall be CL3200 Series Security Bolt Lever Locksets as manufactured by Corbin Russwin Architectural Hardware.

Locksets shall have forged brass or cast stainless steel roses and levers, throughbolted into concealed lugs on the outside subassembly for added security.

Internal mechanisms shall be precision machined from hardened steel and shall be pre-assembled at the factory, utilizing rack and pinion construction and compression type springs.

Integral latchbolt deadbolt mechanisms shall be self-lubricating brass with Delrin insert. The latchbolt shall have a minimum 1/2" throw and shall be interlocked through the internal housing unit by means of a concealed set screw. The latchbolt shall project to a 1" throw deadbolt with hardened steel insert. The bolt may be fully retracted by a minimum 20° depression of the inside lever or by a key (depending on function). Cylinders shall be 6-pin interchangeable core type, with the option of high security interlocking pin mechanisms or 7-pin Pyramid type security or high-security interchangeable cores.

Locksets shall be field reversible by changing latchbolts. Independent latch fronts shall accommodate both flat-front and beveled doors. All locksets shall be available for doors from 1-3/8" to 2-1/4" thick.

Lever handle designs shall provide a minimum of 2" clearance from the surface of the door to the inside of the lever at the midpoint, and may also have a return which comes to within 1/2" of the door surface. The length of the lever to the end of the lever shall be a minimum of 4-11/16".

All locksets shall be listed by Underwriters Laboratories for A label and lesser class doors, single or pair, 4' x 10'.

Certification:

Federal Specification FF-H-106C

ANSI A117.1 Accessibility Code

California State Reference Code, 1989 (formerly Title 19, California State Fire Marshal Standard)

Locks, trim and cylinders shall be from one manufacturer.

Locksets shall carry a two-year limited warranty.



ASSA ABLOY

In U.S.

Corbin Russwin
Architectural Hardware
225 Episcopal Road
Berlin, CT 06037
Phone: 800-543-3658
Fax: 800-447-6714
corbinrusswin.com

In Canada

ASSA ABLOY Door
Security Solutions Canada
160 Four Valley Drive
Vaughan, Ontario
Canada L4K 4T9
Phone: 800-461-3007
Fax: 905-738-2478
www.assaabloy.ca

For more information regarding Corbin Russwin Locksets, Exit Devices, Door Controls and Key Systems, contact your authorized Corbin Russwin Distributor or Sales Representative.

Corbin Russwin and Design® is a registered trademark of Corbin Russwin, Inc., an ASSA ABLOY Group company. Other products' brand names may be trademarks or registered trademarks of their respective owners and are mentioned for reference purposes only. These materials are protected under US copyright laws. All contents current at time of publication. Corbin Russwin, Inc., an ASSA ABLOY Group Company, reserves the right to change availability of any item in this catalog, its design, construction, and/or its materials. Copyright © 2000, 2010 Corbin Russwin, Inc., an ASSA ABLOY Group company. All rights reserved. Reproduction in whole or in part without the express written permission of Corbin Russwin, Inc. is prohibited.

ASSA ABLOY is the global leader in door opening solutions, dedicated to satisfying end-user needs for security, safety and convenience.