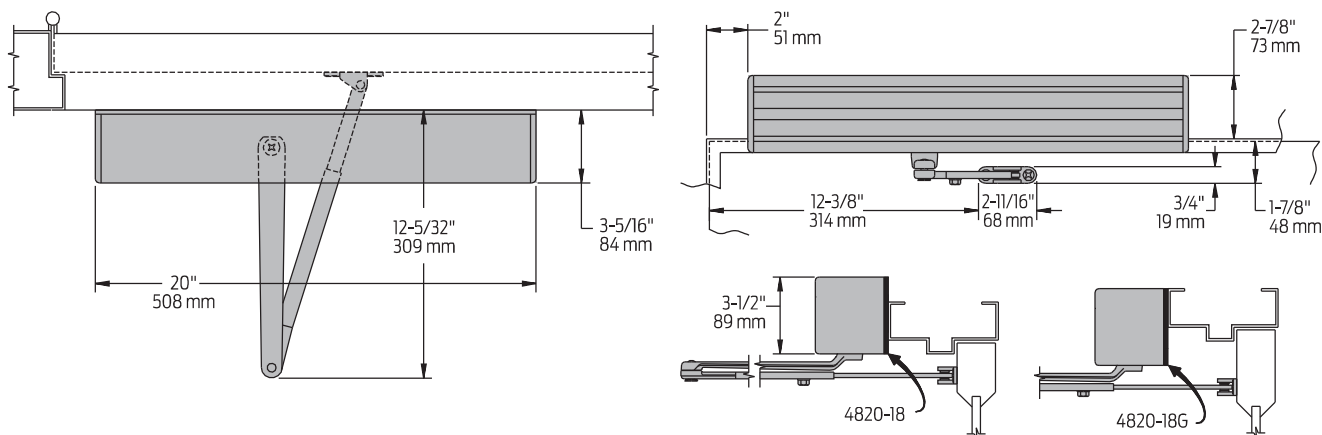


4820 Series Auto Equalizer

Mounting details

Top Jamb (Push Side) Mounting



Butt Hinges	Should not exceed 5" (127 mm) in width
Auxiliary Stop	Recommended
Reveal	<ul style="list-style-type: none"> ■ 4-1/2" (114 mm) allows up to 90° power opening and 100° manual opening ■ 8" (203 mm) allows up to 90° power opening and 100° manual opening with LONG ARM where standard rod and shoe is replaced with optional LONG ROD AND SHOE, 4820-79LR
Head Frame	<ul style="list-style-type: none"> ■ Minimum 1-3/4" (44 mm) ■ With flush ceiling use PLATE, 4820-18G substituted for standard plate
Top Rail	<ul style="list-style-type: none"> ■ Minimum 1-3/4" (44 mm) ■ Closer on 4820-18G plate requires 3" (76 mm) minimum
System Diagram	See "AUTOMATIC OPERATORS" section pages 7-8 for typical system wiring, and pages 28-29 for electrical and pneumatic data for control boxes
Maximum opening	Templating allows 90° power opening and 100° manual opening
Options	Door position switch (DPS) kit that signals when the door has reached the open position

Notes:

- Multi-door solution utilizing 10,000,000 cycle heavy duty door closer
- Requires control boxes with integral compressor and control box using auxiliary air supply
- See CONTROL BOX pages 27-29 and actuators and accessories, pages 118-133
- Guard rails/safety mats not required