

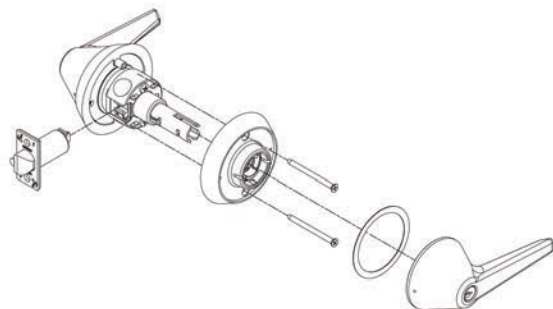
Series 195SS Institutional Life Safety Cylindrical Locksets - Levers

SERIES 195SS				
MARKS #		DESCRIPTION	ANSI #	FINISH GROUPS
COMM. CYL.	IC CORE CYL.*			
N	—	PASSAGE	F75	32D
L	—	PRIVACY	F76	
LK	—	PRIVACY	F76 MOD.	
P	—	PATIO	F77	
DC	RDC	COMMUNICATING	F80	
A	RA	ENTRY	F81	
B	RB	ENTRY	F82A	
AB	RAB	ENTRANCE	F109	
AQ	—	EXIT	F83	
S	RS	CLASSROOM	F84	
F	RF	STOREROOM	F86	
DW	RDW	INSTITUTION	F87	
DA	RDA	VESTIBULE	F88	
FQ	—	EXIT	F89	
T	RT	CORRIDOR	F90	
TK	RTK	HOSPITAL/PRIV.	F90 MOD.	
GB	RGB	STORE DOOR	F91	
BS	RBS	SVC. STATION LOCK	F92	
H	—	HOTEL	F93	
DB	RDB	CLASSROOM INTRUDER	F110	
DO	—	DUMMY TRIM OUTSIDE	—	
DT	—	FULL DUMMY TRIM	—	
NB	—	COMM. PASSAGE	F111	
FB	RFB	COMM. STOREROOM	F112	
SB	RSB	COMM. CLASSROOM	F113	
FEL	RFEL	ELECTRICALLY LOCKED	—	
FEU	RFEU	ELECTRICALLY UNLOCKED	—	

PACKED 6 PER CASE



1SS19S
Shown



Standard Features

- ANSI-A156.2 Grade 1, UL listed 3 Hr. Fire Rating
- Backset: 2-3/4" Standard, 2-3/8", 3-3/4", 5" Available
- Latch #1834, stainless steel nose
- **Levers: Solid cast stainless steel. Levers Rotate up & down freely in locked or unlocked position**
- Levers recessed into solid stainless steel roses eliminating any open gap
- Roses: Thru-bolted, spring loaded, #10 thru-bolts
- Strike: #1135, 4-7/8" ASA curved lip strike
- Door thickness: 1-3/4" +/- 1/16"
- Cylinder: MARKS "C" keyway, 6 pin w/ 2 keys
- Stainless steel retractor

* Standard & HI-SECURITY™ IC Core Models:

Interchangeable Core models for 6 or 7 pin cores (not included). **Accepts:** Marks, Marks HI-SECURITY™, Medeco®, KeyMark™, Falcon, Schlage® small format & Best®
IC Core Tailpieces ARE Included. WHEN ORDERING IC CORE CYLINDER, ADD THE PREFIX "R" TO THE PART NUMBER ie: 5SS55RA/32D

