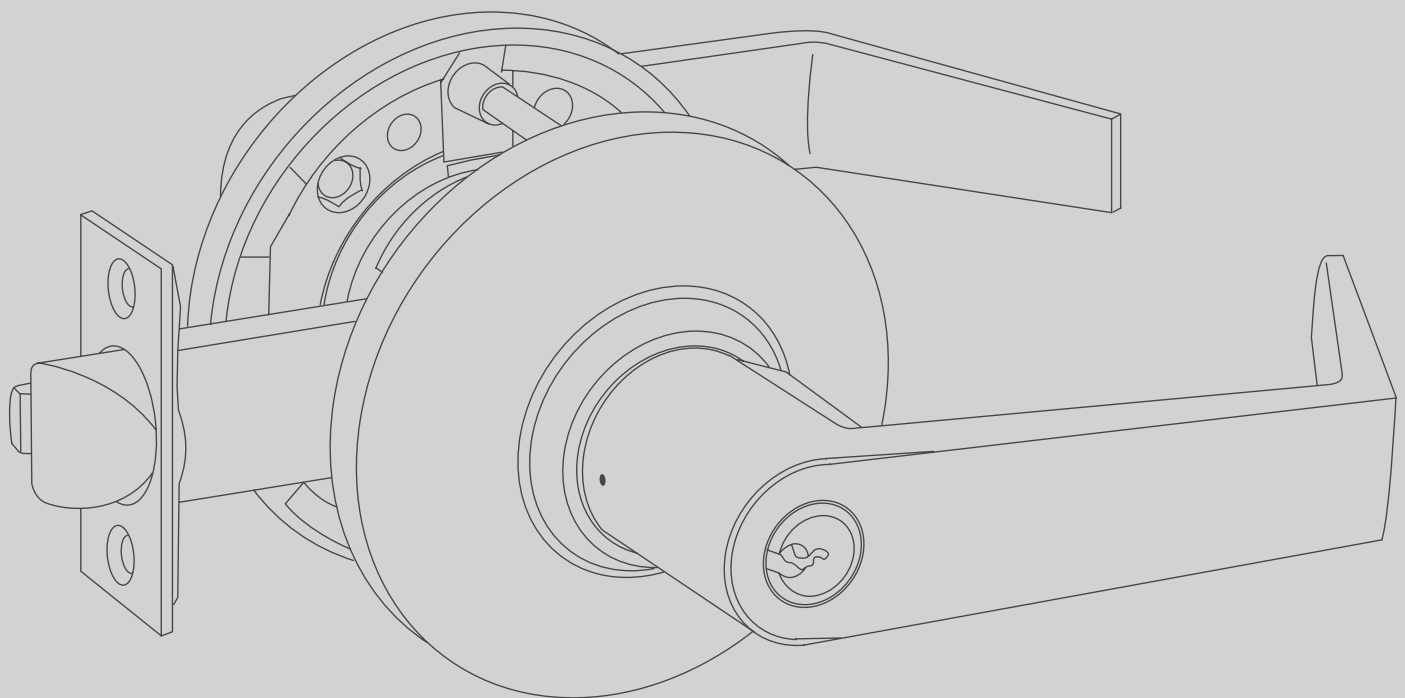


CLX3300 Series

Cylindrical Lockset Parts Manual



Experience a safer
and more open world

 **WARNING**

This product can expose you to lead which is known to the state of California to cause cancer and birth defects or other reproductive harm. For more information go to www.P65warnings.ca.gov.

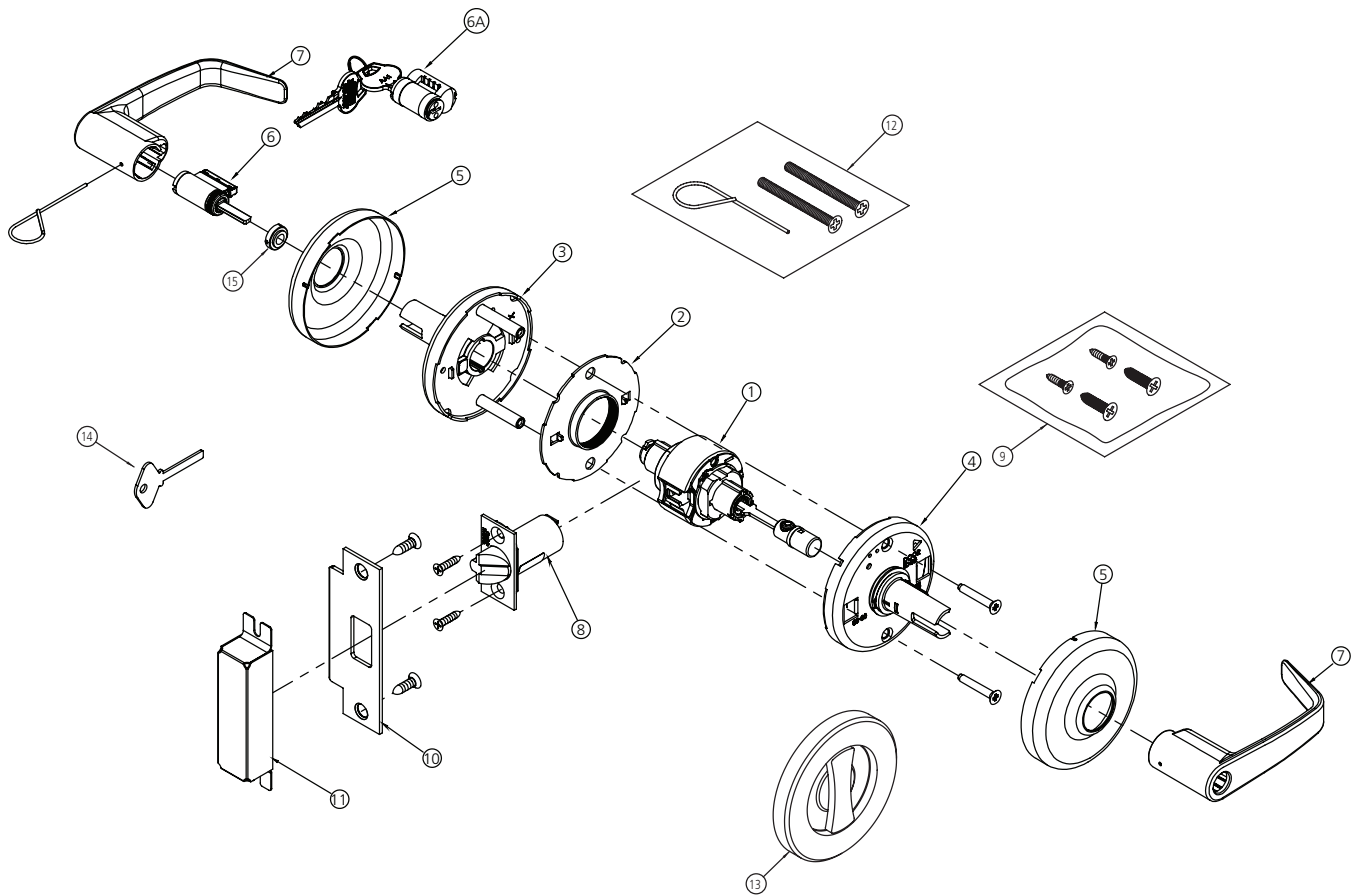
Exploded View	3
Lockbodies & Buttons	4
Spring Housing Assemblies	5
Roses/Liners and Misc	6
Latches	7
Strikes.....	8
Cylinders.....	9-12
Standard Levers and Components	13-14
How to Order Parts.....	15
Finishes.....	15



Experience a safer
and more open world

The warranty on Corbin Russwin products becomes void if the product is modified in any way, regardless of whether the modifications causes or contributes to any alleged defect. If a Corbin Russwin product is modified it may no longer meet industry certification and quality control standards applicable to the original product and is no longer a genuine Corbin Russwin product.

Copyright © 2021-2024, ASSA ABLOY Access and Egress Hardware Group, Inc. All rights reserved. Reproduction in whole or in part without the express written permission of ASSA ABLOY Access and Egress Hardware Group, Inc. is prohibited. Patent pending and/or patent www.assaabloydss.com/patents.



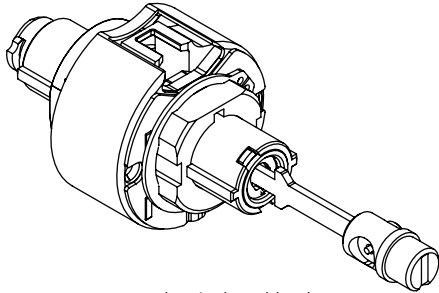
Item	Description	Page #
1	Lockbody	4
2	Rose Liner/Mounting Plate	6
3	Spring Housing Assembly, Outside	5
4	Spring Housing Assembly, Inside	5
5	Rose	6
6	Cylinder	9
6A	Core	9
7	Lever	11
8	Latch	7
9	Screw pack	6
10	Strike	8
11	Strike Box	8
12	Thru Bolt Mounting Pack	6
13	Thumbturn Assembly (CLX3390 only)	5
14	Emergency Release Tool (CLX3320 only)	6
15	Cylinder Spacer	10

The warranty on Corbin Russwin products becomes void if the product is modified in any way, regardless of whether the modifications causes or contributes to any alleged defect. If a Corbin Russwin product is modified it may no longer meet industry certification and quality control standards applicable to the original product and is no longer a genuine Corbin Russwin product.

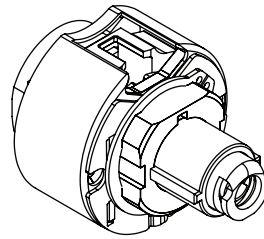
Copyright © 2021-2024, ASSA ABLOY Access and Egress Hardware Group, Inc. All rights reserved. Reproduction in whole or in part without the express written permission of ASSA ABLOY Access and Egress Hardware Group, Inc. is prohibited. Patent pending and/or patent www.assaabloydss.com/patents.



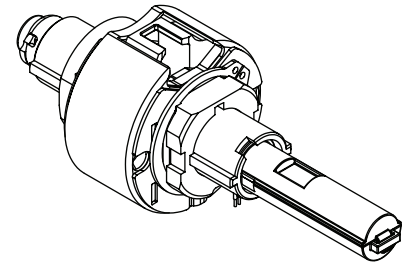
Experience a safer
and more open world



Mechanical Lockbody



Half Trim Lockbody
(e.g. CLX3380, CLX3381, CLX3383 CLX3390)



Electrified Lockbody

Mechanical Lockbodies 1-3/8" - 2-1/4" Door (does not include rose liner/mounting plate)

Description	Function	Part Number			
		Std/Freewheeling	Std/Freewheeling (B238 only)	Rigid Lever	Rigid Lever (B238 only)
Passage or Closet	CLX3310	861F708	866F028	N/A	N/A
Privacy, Bedroom or Bathroom	CLX3320	861F748 Fin*	866F068 Fin*	861F758 Fin*	866F078 Fin*
Hospital Privacy	CLX3320H	861F748 Fin*	866F068 Fin*	861F758 Fin*	866F078 Fin*
Time Out Lock	CLX3320TO	861F728 Fin*	866F048 Fin*	861F738 Fin*	866F058 Fin*
Hotel or Motel	CLX3329	861F768 Fin*	866F088 Fin*	861F778 Fin*	866F098 Fin*
Privacy, Bedroom or Bathroom	CLX3330	861F748 Fin*	866F068 Fin*	861F758 Fin*	866F078 Fin*
Institutional or Utility	CLX3332	861F968	866F268	861F978	866F278
Patio or Privacy	CLX3340	861F748 Fin*	866F068 Fin*	861F758 Fin*	866F078 Fin*
Exit Latch	CLX3340NT	861F358	861F378	861F368	861F388
Entrance or Office	CLX3351	861F828 Fin*	866F128 Fin*	861F838 Fin*	866F138 Fin*
Classroom Intruder	CLX3352	861F848	866F148	861F858	866F158
Classroom	CLX3355	861F848	866F148	861F858	866F158
Storeroom or Closet	CLX3357	861F358	861F378	861F368	861F388
Barrier Free Storeroom or Public Restroom	CLX3359	861F868	866F168	861F878	866F178
Entry or Office	CLX3361	861F788 Fin*	866F108 Fin*	861F798 Fin*	866F118 Fin*
Communicating	CLX3362	861F988	866F288	861F998	866F298
Apartment, Exit or Public Toilet	CLX3372	862F008	866F308	862F018	866F318
Corridor/Dormitory Lock	CLX3375	861F888 Fin*	866F188 Fin*	861F898 Fin*	866F198 Fin*
Corridor/Dormitory Lock (modified)	CLX3376	861F908 Fin*	866F208 Fin*	861F918 Fin*	866F218 Fin*
Passage Lever x Blank Plate	CLX3380	861F718	866F038	N/A	N/A
Classroom x Blank Plate	CLX3381	861F928	866F228	861F938	866F238
Store Door Lock	CLX3382	862F028	866F328	862F038	866F338
Storeroom x Blank Plate	CLX3383	861F948	866F248	861F958	866F258
Passage Lever x Turnpiece	CLX3390	861F718	866F038	N/A	N/A
Service Station	CLX3393	861F828 Fin*	866F128 Fin*	861F838 Fin*	866F138 Fin*

*Includes finished button. Specify finish.

Electrified Lockbodies 1-3/8" - 2-1/4" Door (includes lock harness)

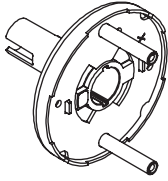
Description	Function	Part Number	
		Std/Freewheeling	Rigid Lever
Electromechanical	CLX33903	886F000	886F010
	CLX33905		

The warranty on Corbin Russwin products becomes void if the product is modified in any way, regardless of whether the modifications causes or contributes to any alleged defect. If a Corbin Russwin product is modified it may no longer meet industry certification and quality control standards applicable to the original product and is no longer a genuine Corbin Russwin product.

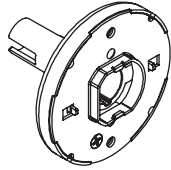
Copyright © 2021-2024, ASSA ABLOY Access and Egress Hardware Group, Inc. All rights reserved. Reproduction in whole or in part without the express written permission of ASSA ABLOY Access and Egress Hardware Group, Inc. is prohibited. Patent pending and/or patent www.assaabloydss.com/patents.



Experience a safer and more open world



PART No. 860F608
Spring Housing Assembly, Outside



Part No. 860F618
Spring Housing Assembly, Inside

Outside Spring Housing Assemblies (1-3/8" - 2-1/4" Door)

Part #	Description
860F608	All Functions except CLX3380, CLX3381, CLX3383, CLX3350, CLX3370
860F638	All Functions for ASSA ABLOY ACCENTRA™ LFIC

Inside Spring Housing Assemblies (1-3/8" - 2" Door)

Part #	Description
860F618	All Functions except CLX3332, CLX3352, CLX3362, CLX3372, CLX3381, CLX3382, CLX3383, CLX3390, CLX3350, CLX3370
860F628	Functions CLX3332, CLX3352, CLX3362, CLX3372, CLX3381, CLX3382, CLX3383
860F648	Functions CLX3332, CLX3352, CLX3362, CLX3372, CLX3381, CLX3382, CLX3383 for ASSA ABLOY ACCENTRA™ LFIC
885F860	All Functions with Request to Exit Option (M92)

Note: For 2-1/4" door, rose liner must be replaced with part number 789F028

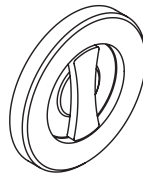
Dummy Spring Housing Assemblies

Part #	Description
863F108	Outside CLX3350, CLX3370
863F118	Inside CLX3370

Thumbturn Assembly (CLX3390)

Part #	Description
865F32 x Fin*	1-3/4" -2" door thickness
865F33 x Fin*	2-1/4" door thickness

* Specify Finish



The warranty on Corbin Russwin products becomes void if the product is modified in any way, regardless of whether the modifications causes or contributes to any alleged defect. If a Corbin Russwin product is modified it may no longer meet industry certification and quality control standards applicable to the original product and is no longer a genuine Corbin Russwin product.

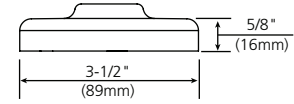
Copyright © 2021-2024, ASSA ABLOY Access and Egress Hardware Group, Inc. All rights reserved. Reproduction in whole or in part without the express written permission of ASSA ABLOY Access and Egress Hardware Group, Inc. is prohibited. Patent pending and/or patent www.assaabloydss.com/patents.



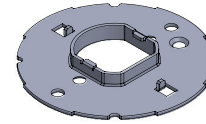
Experience a safer
and more open world

Roses/Rose Liners

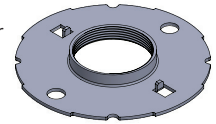
Part No.	Description
678F25 Fin*	Rose
598F59 Fin*	Blank Rose/Plate (CLX3380, CLX3381, CLX3383)
789F018	Rose Liner Inside 1-3/4" - 2"
789F028	Rose Liner Inside Over 2"
789F058	Rose Liner Outside 1-3/4" - 2"
789F068	Rose Liner Outside Over 2"
789F228	Rose Liner Assembly Outside CLX3380, CLX3381, CLX3383



678F25



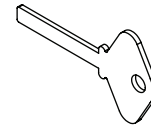
Inside Rose Liner



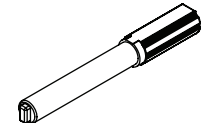
Outside Rose Liner

Miscellaneous

Part No.	Description
865F298	Emergency Release Tool (CLX3320)
867F388	1-3/8" Door Adapter Plates Pack (D138)
865F199	Hotel Adjustment Tool
041F478	Hotel Shut-out Key



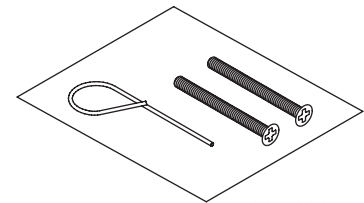
865F298



865F199

Mounting Screw Packs

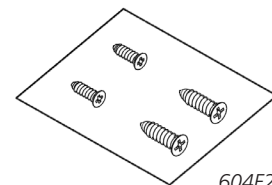
Part No.	Description
865F308	1-3/8" - 2" Doors
865F398	Over 2" up to 2-1/4" Doors
867F73 Fin*	CLX3390 1-3/8" - 2-1/4" Phillips Head
867F74 Fin*	CLX3390 1-3/8" - 2-1/4" Spanner Head
867F75 Fin*	CLX3390 1-3/8" - 2-1/4" Torx Head
867F70 Fin*	CLX3350 Half Dummy Trim - Phillips Head
867F71 Fin*	CLX3350 Half Dummy Trim - Spanner Head
867F72 Fin*	CLX3350 Half Dummy Trim - Torx Head
869F150 Fin*	BHSS Trim - Security Pin Torx Head (includes mounting, latch and ANSI strike screws)



865F308

Latch and Strike Screw Packs

Part No.	Description
604F228 Fin*	Latch & ANSI Strike (4-7/8") - Phillips Head (Std)
604F238 Fin*	Latch & ANSI Strike (4-7/8") - Spanner Head
604F248 Fin*	Latch & ANSI Strike (4-7/8") - Torx Head
604F268 Fin*	Latch & T-Strike (2-3/4") - Phillips Head
604F278 Fin*	Latch & T-Strike (2-3/4") - Spanner Head
604F288 Fin*	Latch & T-Strike (2-3/4") - Torx Head



604F228

* Specify Finish



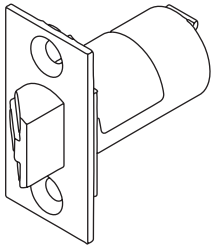
Experience a safer and more open world

The warranty on Corbin Russwin products becomes void if the product is modified in any way, regardless of whether the modifications causes or contributes to any alleged defect. If a Corbin Russwin product is modified it may no longer meet industry certification and quality control standards applicable to the original product and is no longer a genuine Corbin Russwin product.

Copyright © 2021-2024, ASSA ABLOY Access and Egress Hardware Group, Inc. All rights reserved. Reproduction in whole or in part without the express written permission of ASSA ABLOY Access and Egress Hardware Group, Inc. is prohibited. Patent pending and/or patent www.assaabloydss.com/patents.

Plain Latch - CLX3310, CLX3320, CLX3320H, CLX3320TO

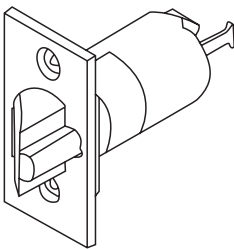
Part No.	Front	Front Width	Backset
867F20	Square Corner	1-1/8" (29mm)	2-3/4" (70mm)
867F26	Rounded Corner	1-1/8" (29mm)	2-3/4" (70mm)
599F91	Square Corner	1" (25mm)	2-3/8" (60mm)
599F94	Rounded Corner	1" (25mm)	2-3/8" (60mm)
599F97	Square Corner	1-1/8" (29mm)	2-3/8" (60mm)
600F00	Rounded Corner	1-1/8" (29mm)	2-3/8" (60mm)
867F22	Square Corner	1-1/8" (29mm)	3-3/4" (95mm)
867F28	Rounded Corner	1-1/8" (29mm)	3-3/4" (95mm)
867F24	Square Corner	1-1/8" (29mm)	5" (127mm)
867F30	Rounded Corner	1-1/8" (29mm)	5" (127mm)



Plain

Deadlocking Latch - All Other Mechanical Functions

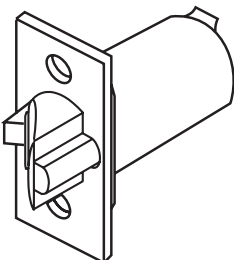
Part No.	Front	Front Width	Backset
867F21	Square Corner	1-1/8" (29mm)	2-3/4" (70mm)
867F27	Rounded Corner	1-1/8" (29mm)	2-3/4" (70mm)
599F92	Square Corner	1" (25mm)	2-3/8" (60mm)
599F95	Rounded Corner	1" (25mm)	2-3/8" (60mm)
599F98	Square Corner	1-1/8" (29mm)	2-3/8" (60mm)
600F01	Rounded Corner	1-1/8" (29mm)	2-3/8" (60mm)
867F23	Square Corner	1-1/8" (29mm)	3-3/4" (95mm)
867F29	Rounded Corner	1-1/8" (29mm)	3-3/4" (95mm)
867F25	Square Corner	1-1/8" (29mm)	5" (127mm)
867F31	Rounded Corner	1-1/8" (29mm)	5" (127mm)



Deadlocking

Deadlocking Latch - Electrified Functions

Part No.	Front	Front Width	Backset
867F32	Square Corner	1-1/8" (29mm)	2-3/4" (70mm)
867F35	Rounded Corner	1-1/8" (29mm)	2-3/4" (70mm)
867F33	Square Corner	1-1/8" (29mm)	3-3/4" (95mm)
867F36	Rounded Corner	1-1/8" (29mm)	3-3/4" (95mm)
867F34	Square Corner	1-1/8" (29mm)	5" (127mm)
867F37	Rounded Corner	1-1/8" (29mm)	5" (127mm)



3/4" Throw Deadlocking Fire Latch - for pair of doors

3/4" Throw Deadlocking Fire Latch

Part No.	Front	Front Width	Backset
601F69	Square Corner	1-1/8" (29mm)	2-3/4" (70mm)

When ordering latchbolt, specify Part No. x Finish (e.g., 867F21 x 626). Screw pack must be ordered separately, see page 6.

The warranty on Corbin Russwin products becomes void if the product is modified in any way, regardless of whether the modifications causes or contributes to any alleged defect. If a Corbin Russwin product is modified it may no longer meet industry certification and quality control standards applicable to the original product and is no longer a genuine Corbin Russwin product.

Copyright © 2021-2024, ASSA ABLOY Access and Egress Hardware Group, Inc. All rights reserved. Reproduction in whole or in part without the express written permission of ASSA ABLOY Access and Egress Hardware Group, Inc. is prohibited. Patent pending and/or patent www.assaabloydss.com/patents.

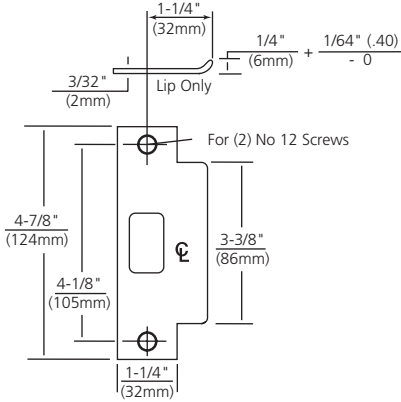


ASSA ABLOY

Experience a safer and more open world

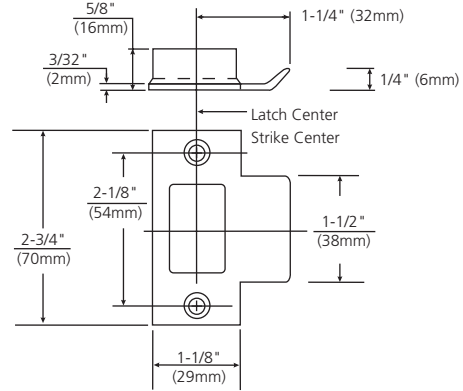
ANSI Curved Lip (standard)

Brass or stainless steel.
 4-7/8" (124mm) x 1-1/4" (32mm) x 1-1/4" (32mm) lip to center.
 Optional lip lengths:
 1" (25mm), 1-1/8" (29mm), 1-3/8" (35mm), 1-1/2" (38mm),
 1-3/4" (44mm), 2" (51mm), 2-1/4" (57mm), 2-1/2" (64mm),
 2-3/4" (70mm), 3" (76mm).
 To order separately, specify Part No. x Finish.



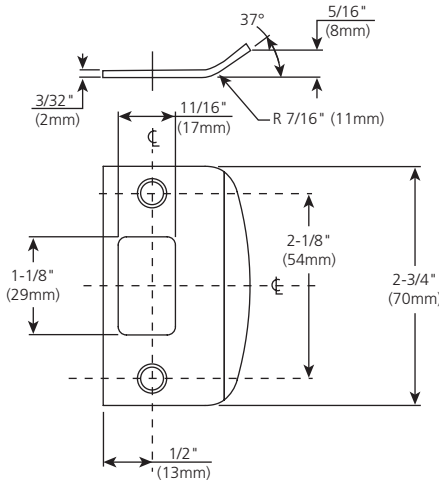
Curved Lip "T" Strike

Brass.
 2-3/4" (70mm) x 1-1/8" (29mm) x 1-1/4" (32mm) lip to center.
 Optional lip lengths: 1" (25mm), 1-1/8" (29mm), 1-3/8" (35mm),
 1-1/2" (38mm), 1-3/4" (44mm), 2" (51mm), 2-1/4" (57mm),
 2-1/2" (64mm), 2-3/4" (70mm), 3" (76mm).
 To order separately, specify Part No. x Finish.



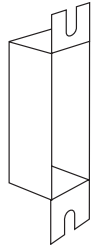
Full Lip Strike

Brass.
 2- 3/4" (70mm) x full lip x 1-1/8" (29mm) lip to center.
 No optional lip lengths.
 To order separately, specify 607F76 x Finish.



ANSI Wrought Strike Box

Used with ANSI 4-7/8" (124mm) strike .
 To order with lockset, specify Quick Code M17.
 To order separately, specify 120F768.



Strikes - 4-7/8" ANSI Curved Lip		Strikes - 2-3/4" T- Curved Lip	
Part No.	Description	Part No.	Description
217L13M016 Fin*	1" Lip Length	586L19M016 Fin*	1" Lip Length
217L13M018 Fin*	1-1/8" Lip Length	586L19M018 Fin*	1-1/8" Lip Length
217L13M020 Fin*	1-1/4" Lip Length	586L19M020 Fin*	1-1/4" Lip Length
217L13M022 Fin*	1-3/8" Lip Length	586L19M022 Fin*	1-3/8" Lip Length
217L13M024 Fin*	1-1/2" Lip Length	586L19M024 Fin*	1-1/2" Lip Length
217L13M028 Fin*	1-3/4" Lip Length	586L19M028 Fin*	1-3/4" Lip Length
217L13M032 Fin*	2" Lip Length	586L19M032 Fin*	2" Lip Length
217L13M036 Fin*	2-1/4" Lip Length	586L19M036 Fin*	2-1/4" Lip Length
217L13M040 Fin*	2-1/2" Lip Length	586L19M040 Fin*	2-1/2" Lip Length
217L13M044 Fin*	2-3/4" Lip Length	586L19M044 Fin*	2-3/4" Lip Length
217L13M048 Fin*	3" Lip Length	586L19M048 Fin*	3" Lip Length

Strike - 2-3/4" Full Lip

Part No.	Description
607F76 Fin*	1-1/8" Lip Length

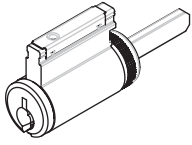
Strike Box

Part No.	Description
120F768	4-7/8" ANSI strike box

Screw pack must be ordered separately, see page 6.
 *Specify finish

The warranty on Corbin Russwin products becomes void if the product is modified in any way, regardless of whether the modifications causes or contributes to any alleged defect. If a Corbin Russwin product is modified it may no longer meet industry certification and quality control standards applicable to the original product and is no longer a genuine Corbin Russwin product.

Copyright © 2021-2024, ASSA ABLOY Access and Egress Hardware Group, Inc. All rights reserved. Reproduction in whole or in part without the express written permission of ASSA ABLOY Access and Egress Hardware Group, Inc. is prohibited. Patent pending and/or patent www.assaabloydss.com/patents.



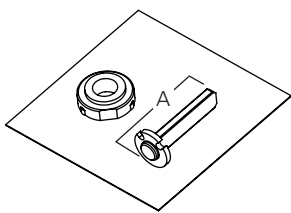
Access 3® - .510" plug diameter
 Pyramid - .496" plug diameter
 Conventional - .509" plug diameter
 Security - .552" plug diameter
 Brass, 6-pin
 2 nickel silver keys
 Finishes: 606, 626, BSP

Fixed Core Cylinders for Mechanical Functions

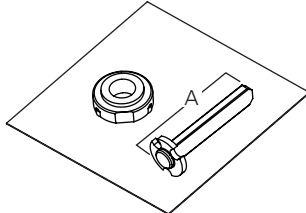
Description	Cylinder Model Number	Door Thickness	Tailpiece Pack	
6-Pin conventional, Security, Pyramid (7-Pin) and Access 3®	CR2000-034 (Std.) CR2010-034 CR2027-034 CR2020-034	CR2500-034 CR2600-034 CR2700-034	1-3/8" - 2"	862F998
	CR2000-034L CR2010-034L CR2027-034L CR2020-034L	CR2500-034L CR2600-034L CR2700-034L	2-1/4"	863F008
7-Pin conventional	CR2000-034-7		1-3/8" - 2"	863F018
	CR2000-034L-7		2-1/4"	863F028
6-Pin competitor keyway	CR2400-034-C CR2400-034-C-KR CR2400-034-LA		1-3/8" - 2"	863F038
	CR2400-034L-C CR2400-034L-C-KR CR2400-034L-LA		2-1/4"	863F048
Hotel function	CR2001-034A CR2001-034A-7 CR2501-034A	CR2601-034A CR2701-034A	1-3/8" - 2-1/4"	N/A

Fixed Core Cylinders for Electrified Functions

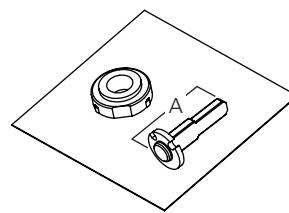
Description	Cylinder Model Number	Door Thickness	Tailpiece Pack	
6-Pin conventional, security, Pyramid (7-Pin) and Access 3®	CR2000-E34 (Std.) CR2010-E34 CR2027-E34 CR2020-E34	CR2500-E34 CR2600-E34 CR2700-E034	1-3/8" - 2"	886F140
	CR2000-E34L CR2010-E34L CR2027-E34L CR2020-E34L	CR2500-E34L CR2600-E34L CR2700-E34L	2-1/4"	886F150
7-Pin conventional	CR2000-E34-7		1-3/8" - 2"	886F160
	CR2000-E34L-7		2-1/4"	886F170
6-Pin competitor keyway	CR2400-E34-C CR2400-E34-C-KR CR2400-E34-LA		1-3/8" - 2"	886F180
	CR2400-E34L-C CR2400-E34L-C-KR CR2400-E34L-LA		2-1/4"	886F190



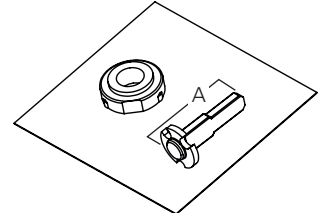
862F998 (A=1.056")
 863F008 (A=1.280")
 863F018 (A=0.900")
 863F028 (A=1.124")



863F038 (A=1.056")
 863F048 (A=1.280")



886F140 (A=0.895")
 886F150 (A=1.058")
 886F160 (A=0.739")
 886F170 (A=0.902")



886F180 (A=0.895")
 886F190 (A=1.058")

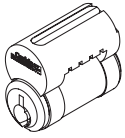
The warranty on Corbin Russwin products becomes void if the product is modified in any way, regardless of whether the modifications causes or contributes to any alleged defect. If a Corbin Russwin product is modified it may no longer meet industry certification and quality control standards applicable to the original product and is no longer a genuine Corbin Russwin product.

Copyright © 2021-2024, ASSA ABLOY Access and Egress Hardware Group, Inc. All rights reserved. Reproduction in whole or in part without the express written permission of ASSA ABLOY Access and Egress Hardware Group, Inc. is prohibited. Patent pending and/or patent www.assaabloydss.com/patents.



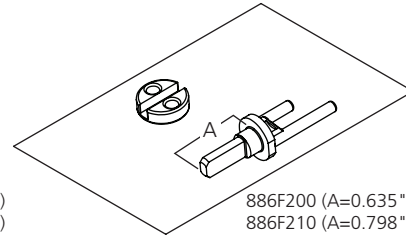
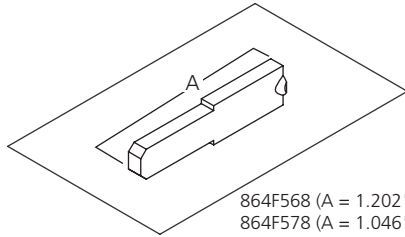
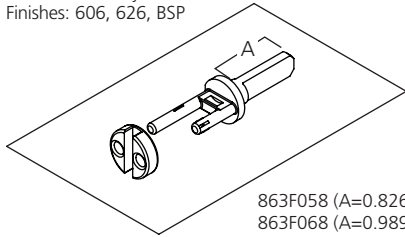
Experience a safer and more open world

Large Format Interchangeable Core (LFIC) Mechanical and Electrified Functions



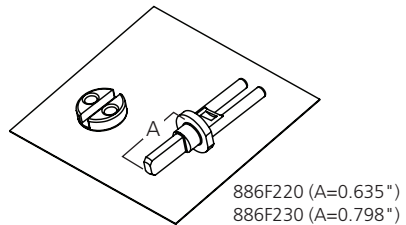
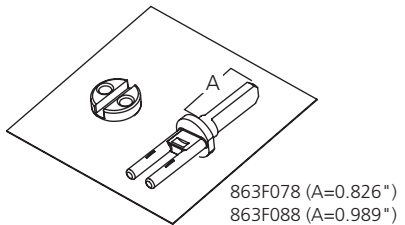
Access 3® - .510" plug diameter
 Pyramid - .496" plug diameter
 Conventional - .509" plug diameter
 Security - .552" plug diameter
 Brass, 6-pin
 2 nickel silver keys
 Finishes: 606, 626, BSP

Description	Core Model Number	Door Thickness	Tailpiece Pack for Use with Mechanical Functions	Tailpiece Pack for Use with Electrified Functions
6-or 7-Pin LFIC conventional, security, Pyramid and Access 3®	CR8000 CR8027	1-3/8" - 2"	863F058	886F200
	CR8000-7 CR8500 CR8010 CR8600 CR8020 CR8700	2-1/4"	863F068	886F210
Hotel function	CR8001-034A	1-3/8" - 2-1/4"	864F568	N/A
	CR8001-034A-7	1-3/8" - 2-1/4"	864F578	N/A



Small Format Interchangeable Core (SFIC) Mechanical and Electrified Functions

Description	Core Model Number	Door Thickness	Tailpiece Pack for Use with Mechanical Functions	Tailpiece Pack for Use with Electrified Functions
6-Pin SFIC 7-Pin SFIC	CR8200 CR8200-7	1-3/8" - 2"	863F078	886F220
		2-1/4"	863F088	886F230



Experience a safer and more open world

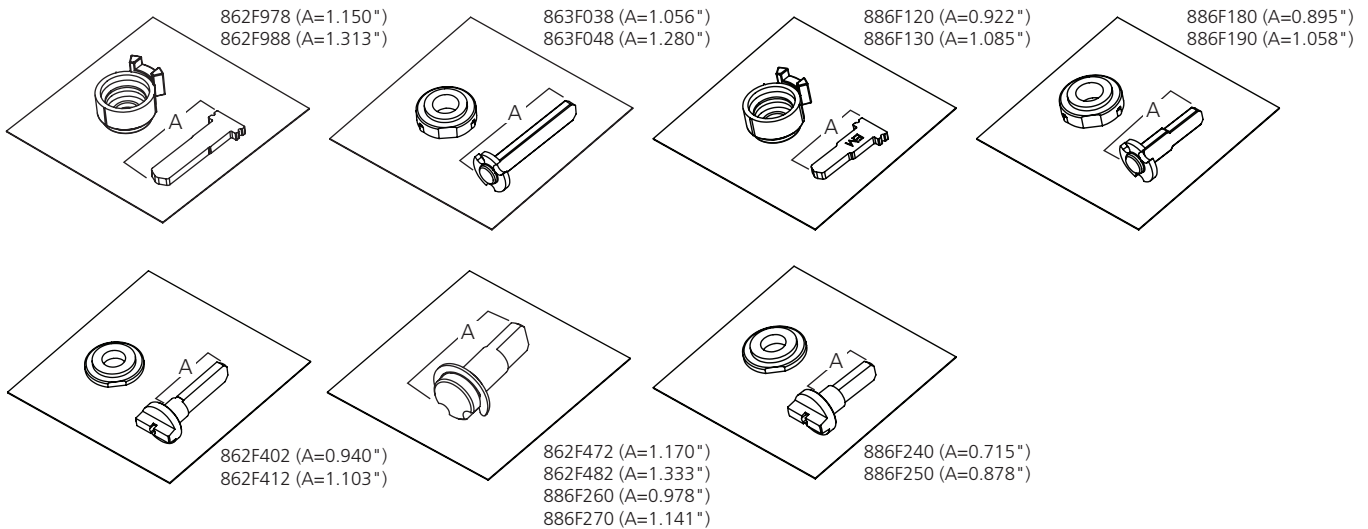
The warranty on Corbin Russwin products becomes void if the product is modified in any way, regardless of whether the modifications causes or contributes to any alleged defect. If a Corbin Russwin product is modified it may no longer meet industry certification and quality control standards applicable to the original product and is no longer a genuine Corbin Russwin product.

Copyright © 2021-2024, ASSA ABLOY Access and Egress Hardware Group, Inc. All rights reserved. Reproduction in whole or in part without the express written permission of ASSA ABLOY Access and Egress Hardware Group, Inc. is prohibited. Patent pending and/or patent www.assaabloydss.com/patents.

Compatibility with Competitive Cylinders/Cores*

Manufacturer	Cylinder Type	Door Thickness	Tailpiece Packs		Option Code with Lock	Description
			Mechanical Functions	Electrified Functions		
Fixed Core						
Sargent®	Fixed Core 6 Pin	1-3/8" - 2"	862F978	886F120	M09	For Sargent® 6 pin cylinders (13-3266). Option code with lock includes special lever and tailpiece.
		2-1/4"	862F988	886F130		
Schlage®	Fixed Core 6 Pin	1-3/8" - 2"	863F038	886F180	M06	For Schlage® 6 pin conventional cylinders (21-002, 23-001 or 23-013) or Schlage Primus cylinders (20-548, 20-550, 20-748 or 20-750). Option code with lock includes tailpiece.
		2-1/4"	863F048	886F190		
ASSA ABLOY ACCENTRA™	Fixed Core 6 Pin	1-3/8" - 2"	862F998	886F140	YC	For ASSA ABLOY ACCENTRA™ 6 pin conventional cylinders (1803-46L or 1803-46LL). Option code with lock includes tailpiece.
		2-1/4"	863F008	886F150		
ASSA ABLOY ACCENTRA™	Fixed Core 7 Pin	1-3/8" - 2"	863F018	886F160	YC7	For ASSA ABLOY ACCENTRA™ 7 pin conventional cylinders (1803A-46L or 1803A-46LL). Option code with lock includes tailpiece.
		2-1/4"	863F028	886F170		
Interchangeable Core						
All	SFIC 6 or 7 Pin	1-3/8" - 2"	863F078	886F220	M08	For all SFIC 6 and 7 pin cores. Option code with lock includes special lever and tailpiece.
		2-1/4"	863F088	886F230		
Schlage®	LFIC 6 Pin	1-3/8" - 2"	862F472	886F260	M69	For Schlage® 6 pin large format interchangeable cores. Option code with lock includes special lever and tailpiece.
		2-1/4"	862F482	886F270		
ASSA ABLOY ACCENTRA™	LFIC 6 Pin	1-3/8" - 2"	862F402	886F240	YRC	For ASSA ABLOY ACCENTRA™ 6 pin large format interchangeable cores. Option code with lock includes special lever and tailpiece.
		2-1/4"	862F412	886F250		

*Cylinder/core not included



The warranty on Corbin Russwin products becomes void if the product is modified in any way, regardless of whether the modifications causes or contributes to any alleged defect. If a Corbin Russwin product is modified it may no longer meet industry certification and quality control standards applicable to the original product and is no longer a genuine Corbin Russwin product.

Copyright © 2021-2024, ASSA ABLOY Access and Egress Hardware Group, Inc. All rights reserved. Reproduction in whole or in part without the express written permission of ASSA ABLOY Access and Egress Hardware Group, Inc. is prohibited. Patent pending and/or patent www.assaabloydss.com/patents.



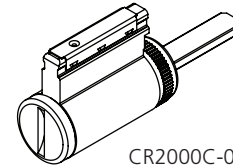
Experience a safer and more open world

Miscellaneous Cylinder Parts

Part #	Description
627F009	Disposable Cores Corbin Russwin LFIC (10 pack)
707F299	Disposable Cores SFIC (10 pack)
862F049	Spacer Only - Fixed Core Cylinder
CR2000C-034	Emergency Release Cylinder - Privacy/Bathroom Function (CLX3330), 1-3/8" - 2" Doors
CR2000C-034L	Emergency Release Cylinder - Privacy/Bathroom Function (CLX3330), 2-1/4" Doors



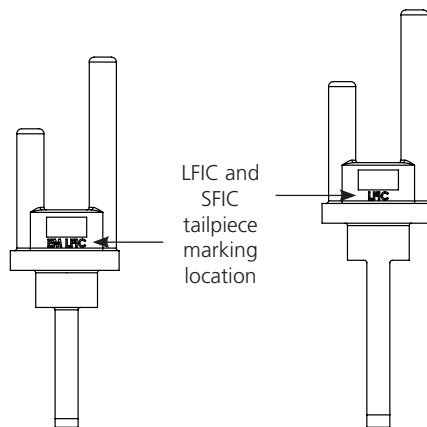
862F049

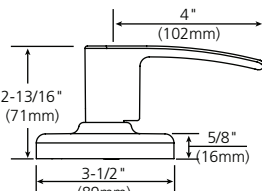
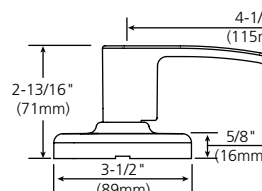
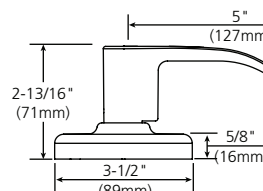


CR2000C-034

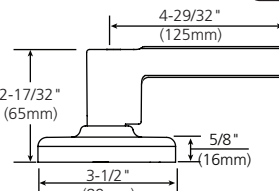
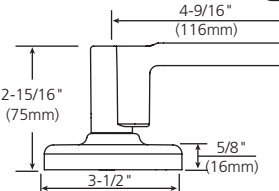
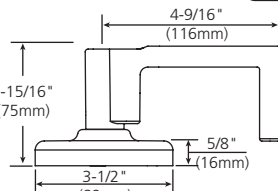
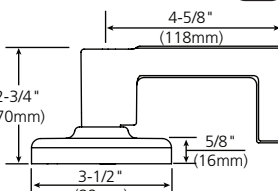
Identifying Tailpieces

CLX3300 Series cylinder tailpieces include stampings to help identify them.



<p>Armstrong AZD Lever: Solid cast zinc Rose: Wrought brass</p> 	<p>Newport NZD Lever: Solid cast zinc Rose: Wrought brass</p> 	<p>Princeton PZD Lever: Solid cast zinc Rose: Wrought brass</p> 
---	---	---

Decorative Levers

<p>102</p> 	<p>106</p> 	<p>123</p> 	<p>124</p> 
---	---	--	---

Levers for Doors 1-3/8" - 2-1/4" (Specify finish)

Application	AZ	NZ	PZ	102	106	123	124
Passage/plain	860F005	860F205	860F405	860F655	860F905	861F035	860F775
Emergency key hole	860F055	860F255	860F455	860F705	860F955	861F085	860F825
Fixed core cylinder (Corbin Russwin 6/7-pin, ASSA ABLOY ACCENTRA™ 6/7-pin, Schlage® 6-pin)	860F015	860F215	860F415	860F665	860F915	861F045	860F785
Fixed core cylinder (Corbin Russwin 6/7-pin, ASSA ABLOY ACCENTRA™ 6/7-pin, Schlage® 6-pin inside CLX3352)	860F025	860F225	860F425	N/A	N/A	N/A	N/A
Push/turn button or fixed core cylinder (SARGENT® 6-pin)	860F035	860F235	860F435	860F685	860F935	861F065	860F805
Fixed core cylinder (SARGENT® inside CLX3352)	860F045	860F245	860F445	N/A	N/A	N/A	N/A
LFIC (Corbin Russwin 6-pin)	860F065	860F265	860F465	860F715	860F965	861F095	860F835
LFIC (Corbin Russwin 6-pin inside CLX3352)	860F075	860F275	860F475	N/A	N/A	N/A	N/A
LFIC (Corbin Russwin 7-pin)	860F085	860F285	860F485	860F735	860F985	861F115	860F855
LFIC (Corbin Russwin 7-pin inside CLX3352)	860F095	860F295	860F495	N/A	N/A	N/A	N/A
LFIC (Schlage® 6-pin)	860F125	860F325	860F525	N/A	N/A	N/A	N/A
LFIC (Schlage® 6-pin inside CLX3352)	860F135	860F335	860F535	N/A	N/A	N/A	N/A
LFIC (ASSA ABLOY ACCENTRA™ 6-pin)	860F145	860F345	860F545	N/A	N/A	N/A	N/A
LFIC (ASSA ABLOY ACCENTRA™ 6-pin inside CLX3352)	860F155	860F355	860F555	N/A	N/A	N/A	N/A
SFIC 6/7-pin	860F105	860F305	860F505	860F755	861F015	861F135	860F875
SFIC 6/7-pin (inside CLX3352)	860F115	860F315	860F515	N/A	N/A	N/A	N/A

The warranty on Corbin Russwin products becomes void if the product is modified in any way, regardless of whether the modifications causes or contributes to any alleged defect. If a Corbin Russwin product is modified it may no longer meet industry certification and quality control standards applicable to the original product and is no longer a genuine Corbin Russwin product.

Copyright © 2021-2024, ASSA ABLOY Access and Egress Hardware Group, Inc. All rights reserved. Reproduction in whole or in part without the express written permission of ASSA ABLOY Access and Egress Hardware Group, Inc. is prohibited. Patent pending and/or patent www.assaabloydss.com/patents.



Experience a safer and more open world

Levers with Knurling for Doors 1-3/8" to 2-1/4" (Specify finish)

Application	AZ	NZ	PZ	102	106	123	124
Passage/plain	860N005	860N205	860N405	N/A	N/A	N/A	N/A
Emergency key hole	860N055	860N255	860N455	N/A	N/A	N/A	N/A
Fixed core cylinder (Corbin Russwin 6/7-pin, ASSA ABLOY ACCENTRA™ 6/7-pin, Schlage® 6-pin)	860N015	860N215	860N415	N/A	N/A	N/A	N/A
Fixed core cylinder (Corbin Russwin 6/7-pin, ASSA ABLOY ACCENTRA™ 6/7-pin, Schlage® 6-pin inside CLX3352)	860N025	860N225	860N425	N/A	N/A	N/A	N/A
Push/turn button or fixed core cylinder (SARGENT® 6-pin)	860N035	860N235	860N435	N/A	N/A	N/A	N/A
Fixed core cylinder (SARGENT® inside CLX3352)	860N045	860N245	860N445	N/A	N/A	N/A	N/A
LFIC (Corbin Russwin 6-pin)	860N065	860N265	860N465	N/A	N/A	N/A	N/A
LFIC (Corbin Russwin 6-pin inside CLX3352)	860N075	860N275	860N475	N/A	N/A	N/A	N/A
LFIC (Corbin Russwin 7-pin)	860N085	860N285	860N485	N/A	N/A	N/A	N/A
LFIC (Corbin Russwin 7-pin inside CLX3352)	860N095	860N295	860N495	N/A	N/A	N/A	N/A
LFIC (Schlage® 6-pin)	860N125	860N325	860N525	N/A	N/A	N/A	N/A
LFIC (Schlage® 6-pin inside CLX3352)	860N135	860N335	860N535	N/A	N/A	N/A	N/A
LFIC (ASSA ABLOY ACCENTRA™ 6-pin)	860N145	860N345	860N545	N/A	N/A	N/A	N/A
LFIC (ASSA ABLOY ACCENTRA™ 6-pin inside CLX3352)	860N155	860N355	860N555	N/A	N/A	N/A	N/A
SFIC 6/7-pin	860N105	860N305	860N505	N/A	N/A	N/A	N/A
SFIC 6/7-pin (inside CLX3352)	860N115	860N315	860N515	N/A	N/A	N/A	N/A

Levers with Abrasive Coat for Doors 1-3/8" to 2-1/4" (Specify finish)

Application	AZ	NZ	PZ	102	106	123	124
Passage/plain	860R005	860R205	860R405	N/A	N/A	N/A	N/A
Emergency key hole	860R055	860R255	860R415	N/A	N/A	N/A	N/A
Fixed core cylinder (Corbin Russwin 6/7-pin, ASSA ABLOY ACCENTRA™ 6/7-pin, Schlage® 6-pin)	860R015	860R215	860R425	N/A	N/A	N/A	N/A
Fixed core cylinder (Corbin Russwin 6/7-pin, ASSA ABLOY ACCENTRA™ 6/7-pin, Schlage® 6-pin inside CLX3352)	860R025	860R225	860R435	N/A	N/A	N/A	N/A
Push/turn button or fixed core cylinder (SARGENT® 6-pin)	860R035	860R235	860R445	N/A	N/A	N/A	N/A
Fixed core cylinder (SARGENT® inside CLX3352)	860R045	860R245	860R455	N/A	N/A	N/A	N/A
LFIC (Corbin Russwin 6-pin)	860R065	860R265	860R465	N/A	N/A	N/A	N/A
LFIC (Corbin Russwin 6-pin inside CLX3352)	860R075	860R275	860R475	N/A	N/A	N/A	N/A
LFIC (Corbin Russwin 7-pin)	860R085	860R285	860R485	N/A	N/A	N/A	N/A
LFIC (Corbin Russwin 7-pin inside CLX3352)	860R095	860R295	860R495	N/A	N/A	N/A	N/A
LFIC (Schlage® 6-pin)	860R125	860R325	860R525	N/A	N/A	N/A	N/A
LFIC (Schlage® 6-pin inside CLX3352)	860R135	860R335	860R535	N/A	N/A	N/A	N/A
LFIC (ASSA ABLOY ACCENTRA™ 6-pin)	860R145	860R345	860R545	N/A	N/A	N/A	N/A
LFIC (ASSA ABLOY ACCENTRA™ 6-pin inside CLX3352)	860R155	860R355	860R555	N/A	N/A	N/A	N/A
SFIC 6/7-pin	860R105	860R305	860R505	N/A	N/A	N/A	N/A
SFIC 6/7-pin (inside CLX3352)	860R115	860R315	860R515	N/A	N/A	N/A	N/A

How to Order Parts

1. In order to simplify the ordering procedure and maintain regulatory compliance, parts are only available as listed
2. To order parts, provide the appropriate quantity, part number, finish, hand (when required) and description as directed and illustrated below.

For example, use the following configuration to order:

- A) ten lockbodies in satin chrome
- B) one rose in bright brass

	Quantity	Part Number	Finish	Hand	Description
A	10	861F748 Fin	626	—	Privacy Function Lockbody
B	1	678F25 Fin	605	—	Rose

For assistance, contact your authorized Corbin Russwin distributor, sales agency or visit our website at www.corbinrusswin.com .

Finishes

ANSI/BHMA Code	Finish Description
605	Bright Brass, Clear Coated
606	Satin Brass, Clear Coated
611	Bright Bronze, Clear Coated
612	Satin Bronze, Clear Coated
613	Dark Oxidized Satin Bronze, Oil Rubbed
613E	Dark Oxidized Satin Bronze, Equivalent
613L	Dark Oxidized Satin Bronze, Clear Coated
618	Bright Nickel, Clear Coated
619	Satin Nickel Plated, Clear Coated
619C	Satin Nickel Plated with MicroShield®
625	Bright Chrome Plated
626	Satin Chrome Plated
626C	Satin Chrome Plated with MicroShield®
630	Satin Stainless Steel (BHSS only)
630C	Satin Stainless Steel with MicroShield® (BHSS only)
722	Black Oxidized Satin Bronze, Oil Rubbed
BSP	Black Suede Powder Coat
WSP	White Suede Powder Coat

Lock Finish	Cylinder/Core*
605, 606, 611, 612, 613, 613E, 613L, 722	606
618, 619, 625, 626, 630, WSP	626
BSP	BSP

*Finish when cylinder provided with lock

The warranty on Corbin Russwin products becomes void if the product is modified in any way, regardless of whether the modifications causes or contributes to any alleged defect. If a Corbin Russwin product is modified it may no longer meet industry certification and quality control standards applicable to the original product and is no longer a genuine Corbin Russwin product.

Copyright © 2021-2024, ASSA ABLOY Access and Egress Hardware Group, Inc. All rights reserved. Reproduction in whole or in part without the express written permission of ASSA ABLOY Access and Egress Hardware Group, Inc. is prohibited. Patent pending and/or patent www.assaabloydss.com/patents.



Experience a safer and more open world

The ASSA ABLOY Group is the global leader in access solutions. Every day, we help billions of people experience a more open world.

ASSA ABLOY Opening Solutions leads the development within door openings and products for access solutions in homes, businesses and institutions. Our offering includes doors, frames, door and window hardware, mechanical and smart locks, access control and service.



For additional information, contact your
ASSA ABLOY Door Security Solutions
sales consultant or visit www.corbinrusswin.com.

In U.S.

Corbin Russwin
Architectural Hardware
225 Episcopal Road
Berlin, CT 06037
Phone: 800-543-3658
Fax: 800-447-6714
www.corbinrusswin.com

In Canada

ASSA ABLOY Door
Security Solutions Canada
160 Four Valley Drive
Vaughan, Ontario
Canada L4K 4T9
Phone: 800-461-3007
Fax: 800-461-8989
www.assaabloydss.ca