

# 7414 AR/ARJ/ARP

Round arm for regular, top jamb, parallel mount

## Installation instructions

08280401 – 01-2021

| EN |


dormakaba 


# Table of contents


<b>1</b>	<b>Technical specifications</b>	<b>3</b>
1.1	Overview	3
1.2	Tools recommended	3
1.3	Handing the door	3
<b>2</b>	<b>Instructions - AR regular mount</b>	<b>4</b>
2.1	Closer system: Round arm (AR)	4
2.2	Installing backplate and surface closer	4
2.3	Installing arms (AR)	4
<b>3</b>	<b>Instructions - AR top jamb mount</b>	<b>5</b>
3.1	Closer system: Round arm (AR)	5
3.2	Installing plate and surface closer	5
3.3	Installing arms (AR)	5
<b>4</b>	<b>Instructions - AR parallel mount</b>	<b>6</b>
4.1	Closer system: Round arm (AR)	6
4.2	Installing drop plate and closer	6
4.3	Installing parallel mount bracket and arms (AR)	6
<b>5</b>	<b>Adjustments</b>	<b>7</b>
5.1	Adjust closing speeds: sweep, latch, backcheck, delayed action	7
5.2	Adjust spring force	8
<b>6</b>	<b>Install covers</b>	<b>8</b>

# 1 Technical specifications


## 1.1 Overview

 Caution: sex nuts are required for attachment of components to unreinforced doors and to wood or plastic faced composite type fire doors, unless an alternative method is identified in the individual door manufacturer’s listings.

 Maximum door opening degree is 180°.

 Know the swing of the door which is being installed prior to installation.

 Verify closer spring size prior to installation.

 Make sure door efficiently operates prior to installing closer.

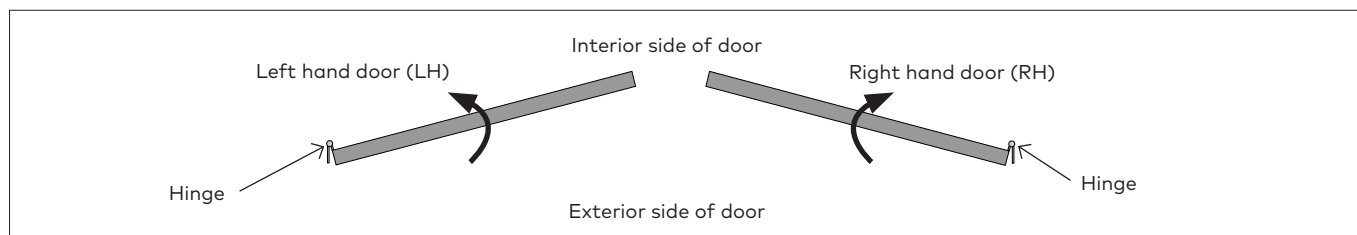
## 1.2 Tools recommended

Table 1

Drill bits:	#3 Phillips screwdriver
Metal: 7/32" drill bit; 1/4-20 tap	3/16" flat head screwdriver
Wood: 3/8" and 5/32" bit	5mm hex key
1/2" box wrench	

## 1.3 Handing the door

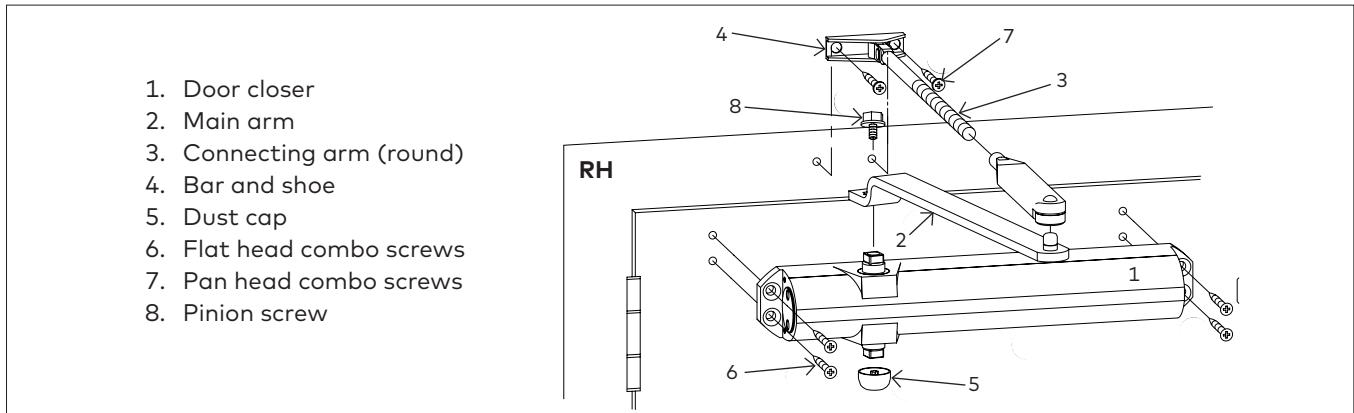
Fig.1



# 2 Instructions - AR regular mount

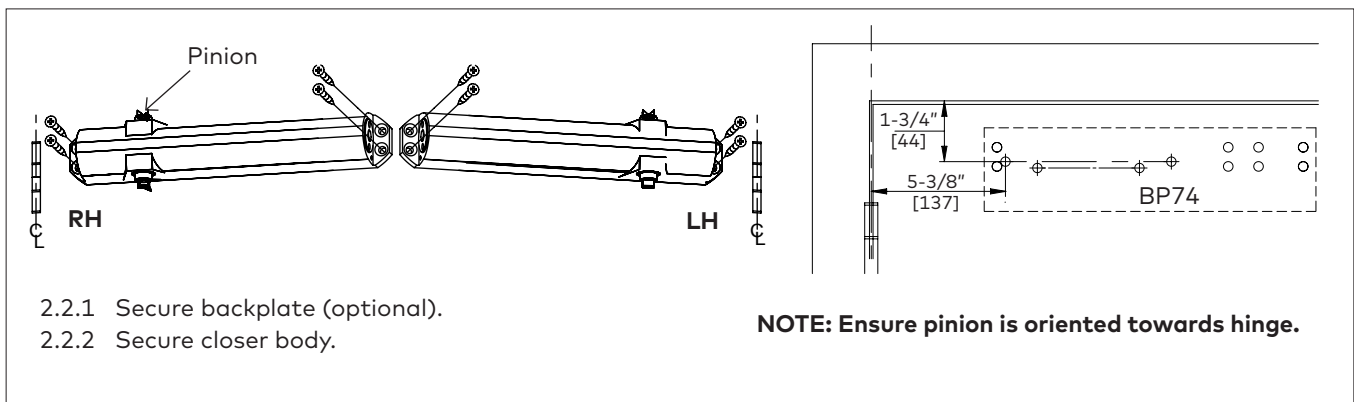
## 2.1 Closer system: Round arm (AR)

Fig.2



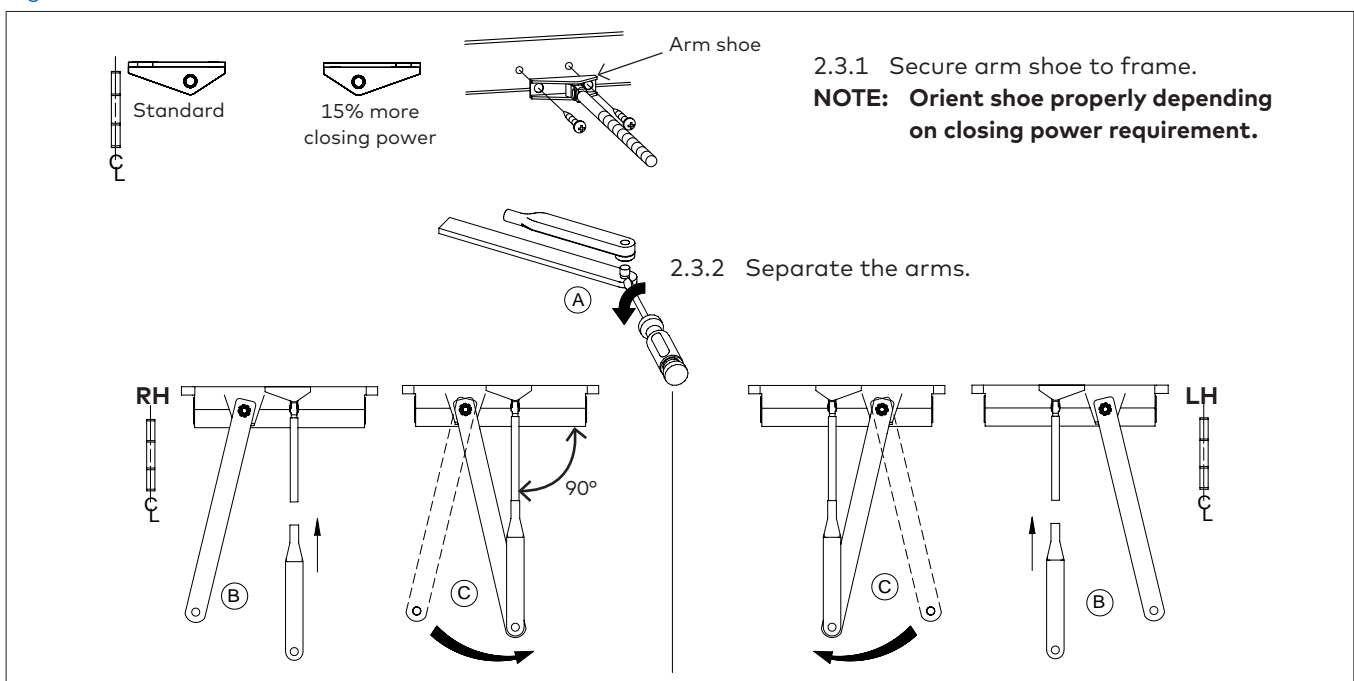
## 2.2 Installing backplate and surface closer

Fig.3



## 2.3 Installing arms (AR)

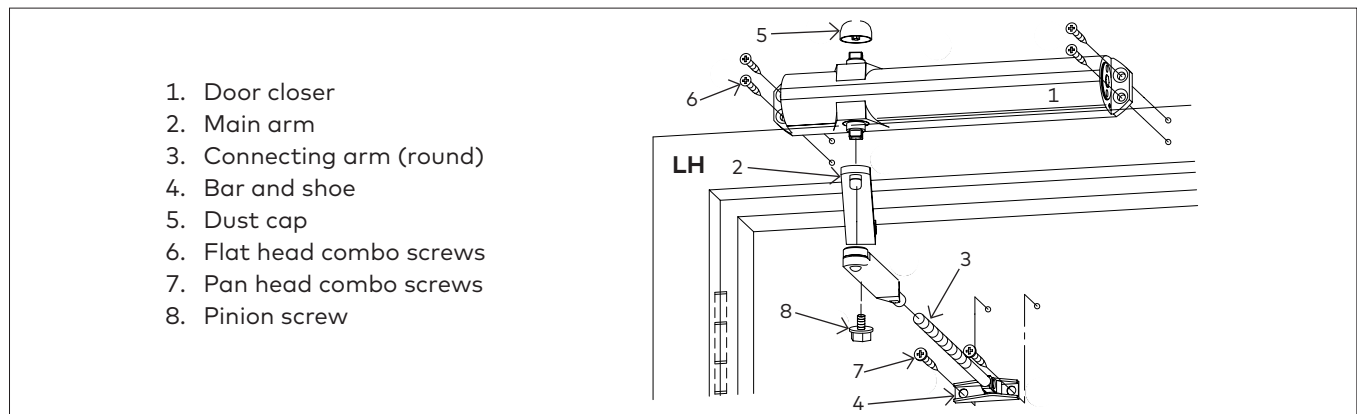
Fig.4



# 3 Instructions - AR top jamb mount

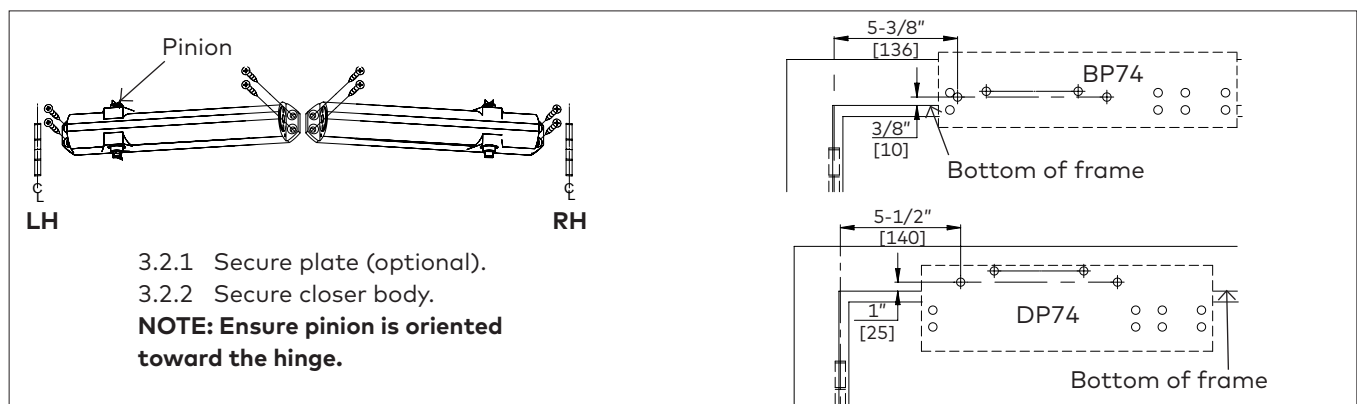
## 3.1 Closer system: Round arm (AR)

Fig.5



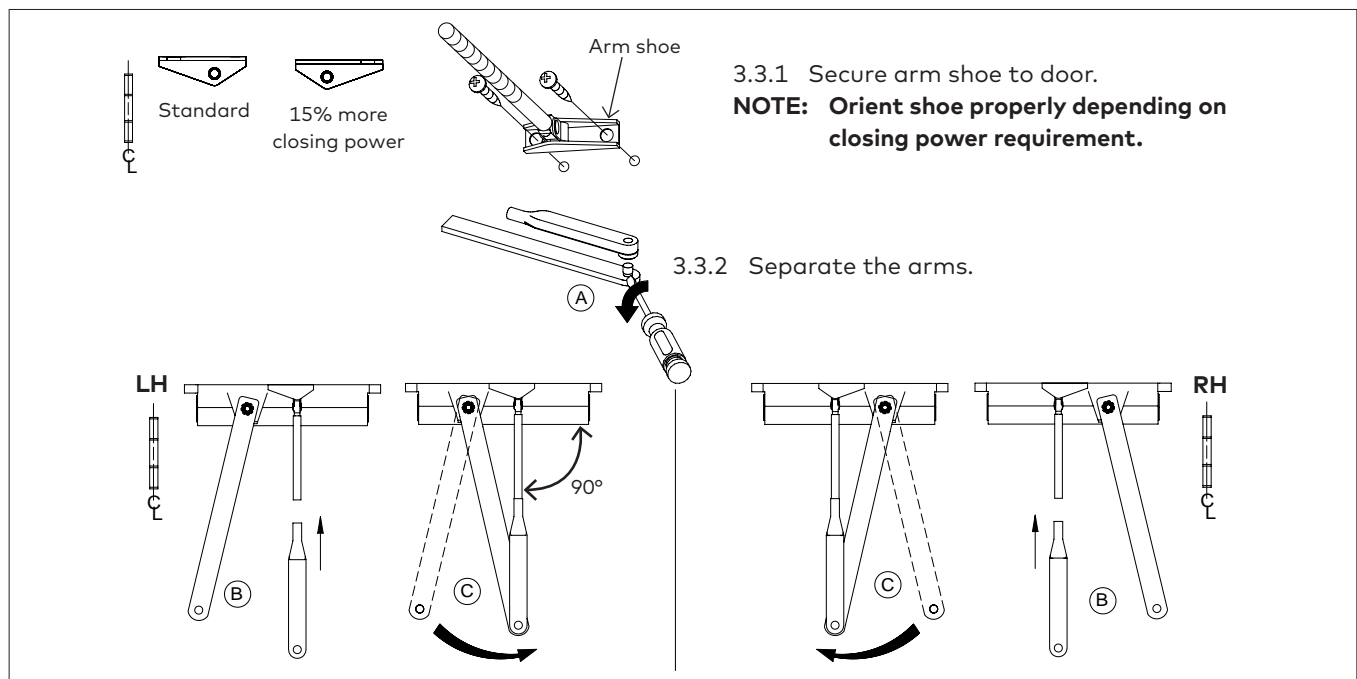
## 3.2 Installing plate and surface closer

Fig.6



## 3.3 Installing arms (AR)

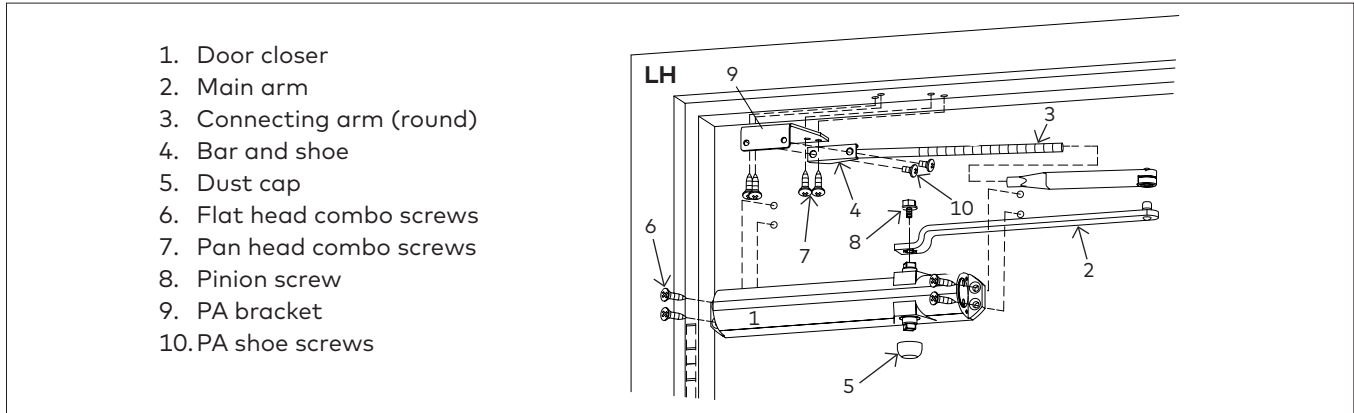
Fig.7



# 4 Instructions - AR parallel mount

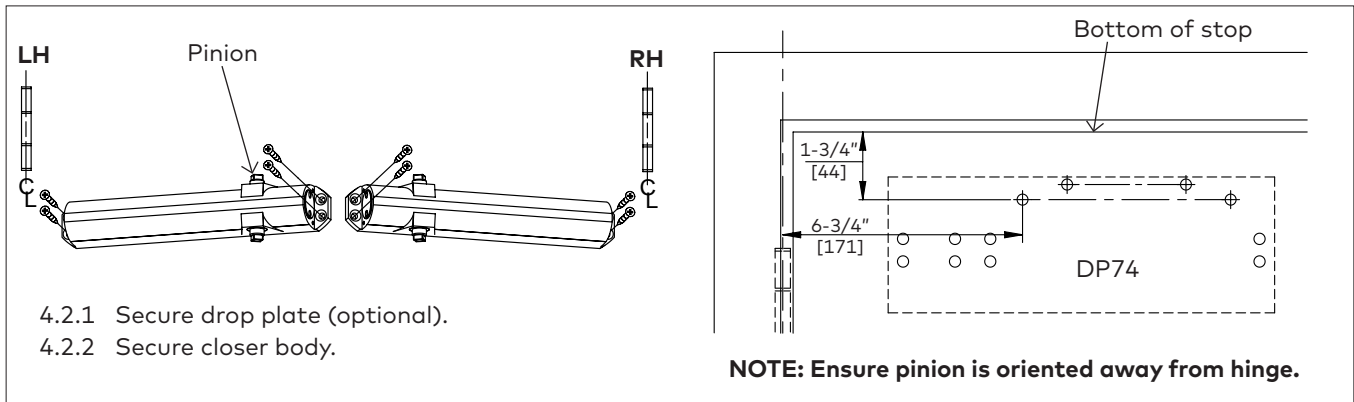
## 4.1 Closer system: Round arm (AR)

Fig.8



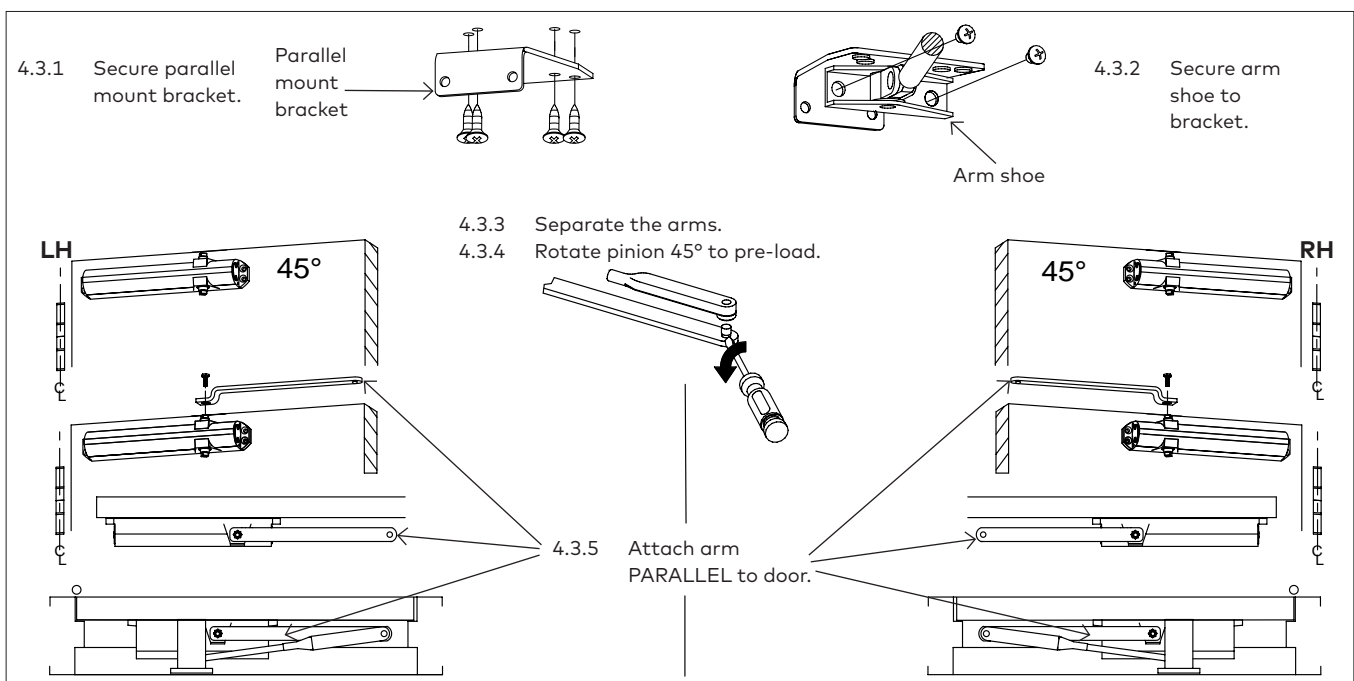
## 4.2 Installing drop plate and closer

Fig.9



## 4.3 Installing parallel mount bracket and arms (AR)

Fig.10

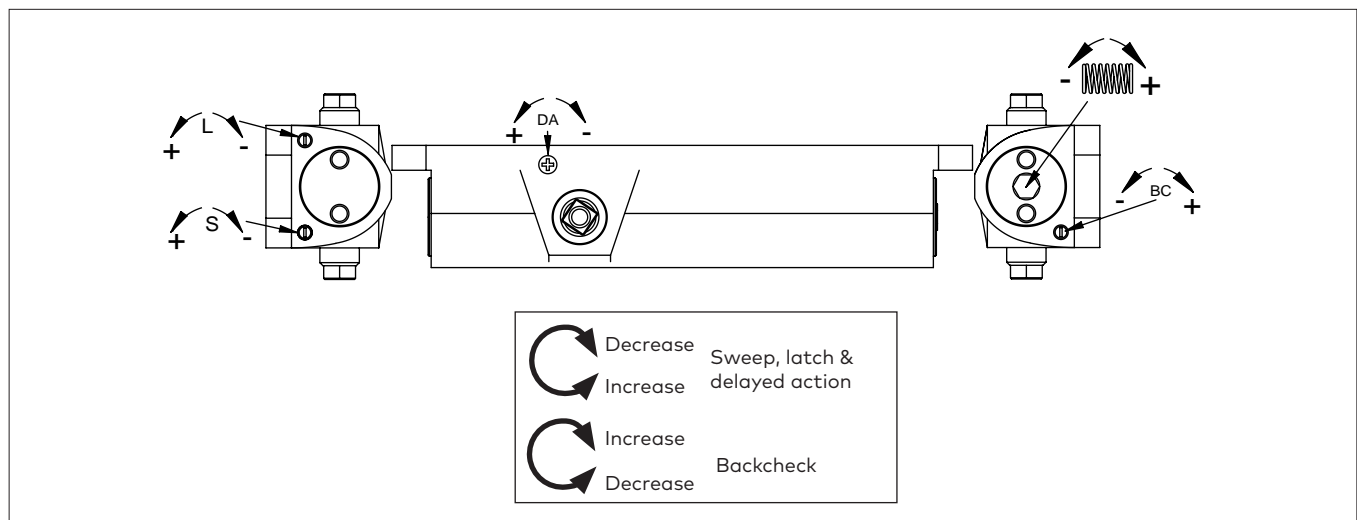


# 5 Adjustments

- ⚠ Confirm closer spring size prior to making any closing speed adjustments.
- ⚠ Do not back valve heads out beyond closer casting.
- ⚠ Check delayed action (DEL) function if supplied.
- 7414 meets 5lb interior barrier-free requirements.
- ⚠ If necessary, adjust closer spring and test pull forces until proper forces are obtained.
- ⚠ Maximum opening angle is 180°.
- ⚠ Door should close in 3 to 6 seconds from 90°.
- ⚠ Do not close valves completely.
- ⚠ Ball bearing hinges and pivots should always be used.

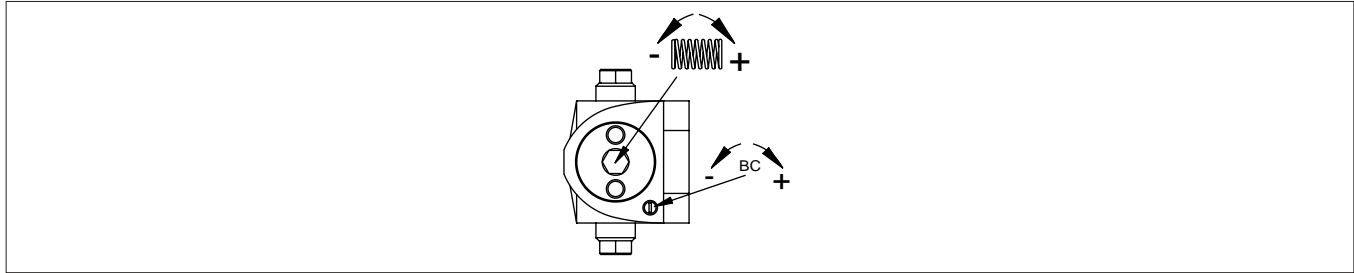
## 5.1 Adjust closing speeds: sweep, latch, backcheck, delayed action

Fig.11



## 5.2 Adjust spring force

Fig.12



Regular and top jamb mount					
	Closer size	Max door weight (lbs)	Door width		Full turns
			Interior	Exterior	
7414	2	100	2'6"	----	-9
	3	125	3'	2'6"	-4
	4	150	3'6"	3'	0
	5	200	4'	3'6"	+4
	6	250	----	4'	+8
Parallel mount					
7436	3	100	2'6"	----	-4
	4	125	3'	2'6"	0
	5	150	3'6"	3'	+4
	6	200	4'	3'6"	+8

## 6 Install covers

Fig.13

