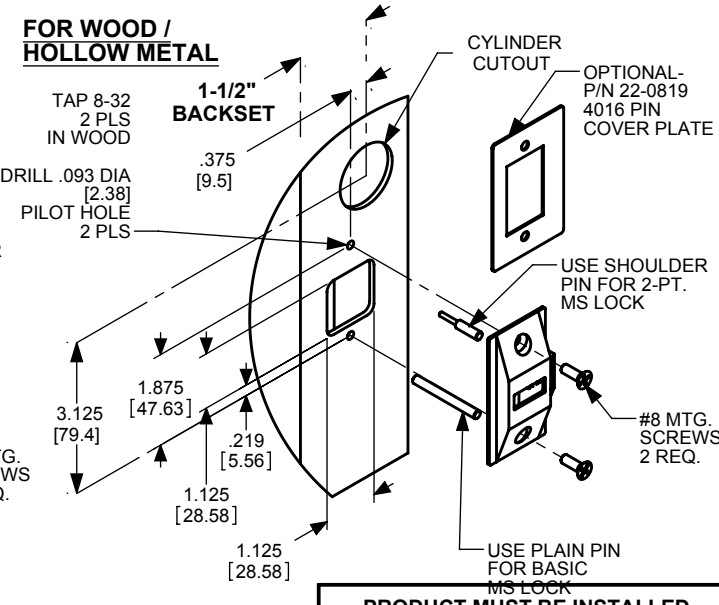
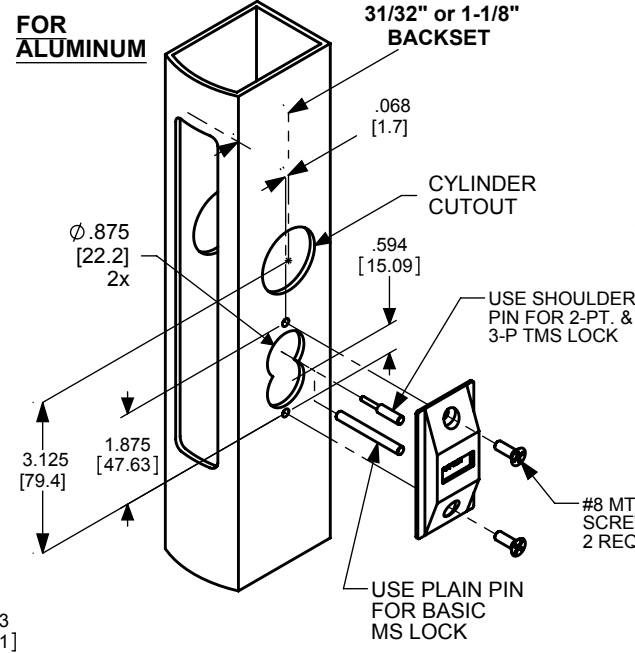
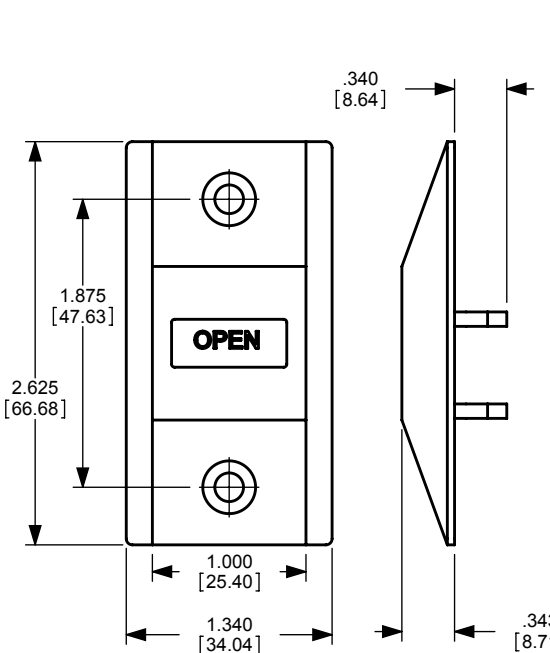
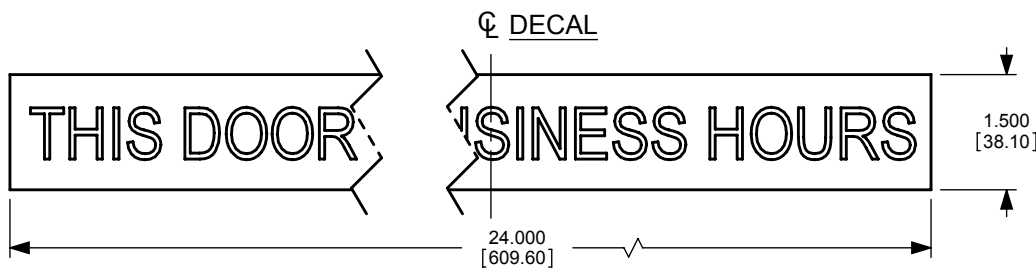
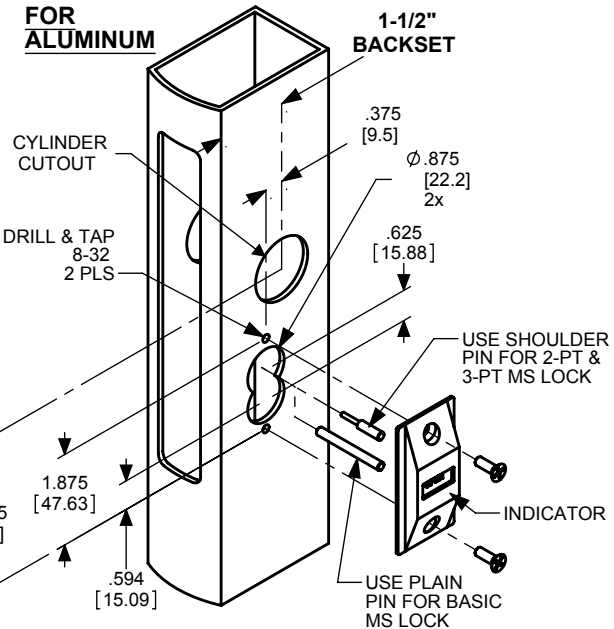
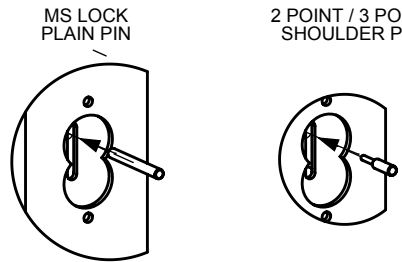


1. WITH LOCK INSTALLED AND UNLOCKED, INSERT PIN THROUGH SLOT IN LOCK SIDE PLATE INTO THE BOLT OPENING PROVIDED.
2. WITH LOCK UNLOCKED AND INDICATOR PANEL READING "OPEN" PLACE INDICATOR OVER OPERATING PIN AND MOUNT INDICATOR WITH SCREWS PROVIDED.
3. DIMENSIONS IN PARENTHESES ARE IN MILLIMETERS.
4. MAKE SURE HEADER FACE IS CLEAN AND DRY. PEEL BACKING FROM ADHESIVE SIGN HALVES, STARTING AT CENTER TO MINIMIZE MISALIGNMENT. APPLY TO HEADER.



PRODUCT MUST BE INSTALLED ACCORDING TO ALL APPLICABLE BUILDING AND LIFE SAFETY CODES

Adams Rite

www.adamsrite.com
 Phone: 800-626-7590
 800-872-3267

ASSA ABLOY

Fax: 866-582-4641
 800-232-7329

4089 EXIT INDICATOR

80-0180-14

Rev. F Ecn 11955A

INSTALLATION INSTRUCTIONS

Date: 06-19-12 Appvd: MP