



HYDRAULIC RETROFIT GATE CLOSER FOR WIDE GATES UP TO 330 LBS

Item No. SAMSON-2



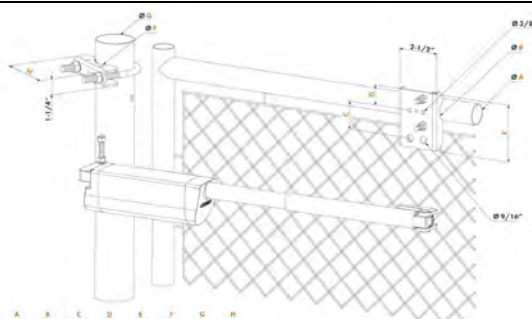
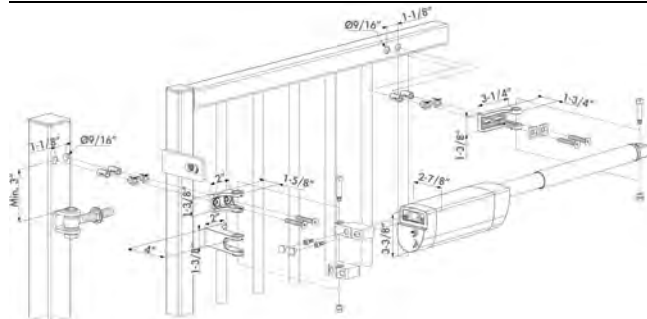
Simple installation and versatility make it the perfect fit for larger gates. Samson-2 is a polyvalent hydraulic gate closer developed with high quality components for an exceptional long life span. Temperature changes do not affect the smooth and constant functionality. The set of mounting brackets that are delivered with the closer make Samson-2 fit for any gate. Also fitted for chain link fences.

- Hydraulic gate closer up to 150° with adjustable closing speed and final action
- Weatherproof, scratch resistant and corrosion free anodized aluminum housing
- Weatherproof, scratch resistant and corrosion free anodized aluminum housing
- Consistent closing speed thanks to patented hydraulic damping
- Fast and easy fixation with Quick-Fix bolts
- For left and right turning gates
- ADA compliant (< 5 lbs; max 25 Nm) from gate widths of 4ft. or more

AVAILABLE IN FOLLOWING RAL-COLORS



FEATURES



	A	B	C	D	E	F	G	H
SA-2012	1.5/8"	1.5/8"	2.1/8"	1.5/8"	8.1/2"	2"	2"	8.8/8"
SA-3020	1.5/8"	1.5/8"	2.1/8"	1.5/8"	8.1/2"	2"	2"	8.8/8"
SA-4018	1.5/8"	1.5/8"	2.1/8"	1.5/8"	8.1/2"	2.1/8"	2.1/8"	8.1/2"
SA-4020	1.5/8"	1.5/8"	2.1/8"	1.5/8"	8.1/2"	2.1/8"	2.1/8"	8.1/2"